



Automation for a Changing World

Delta Machine Vision System DMV Series



www.deltaww.com

 **DELTA**
Smarter. Greener. Together.

Delta Machine Vision System DMV Series

High Speed, High Precision, Smart and User-Friendly

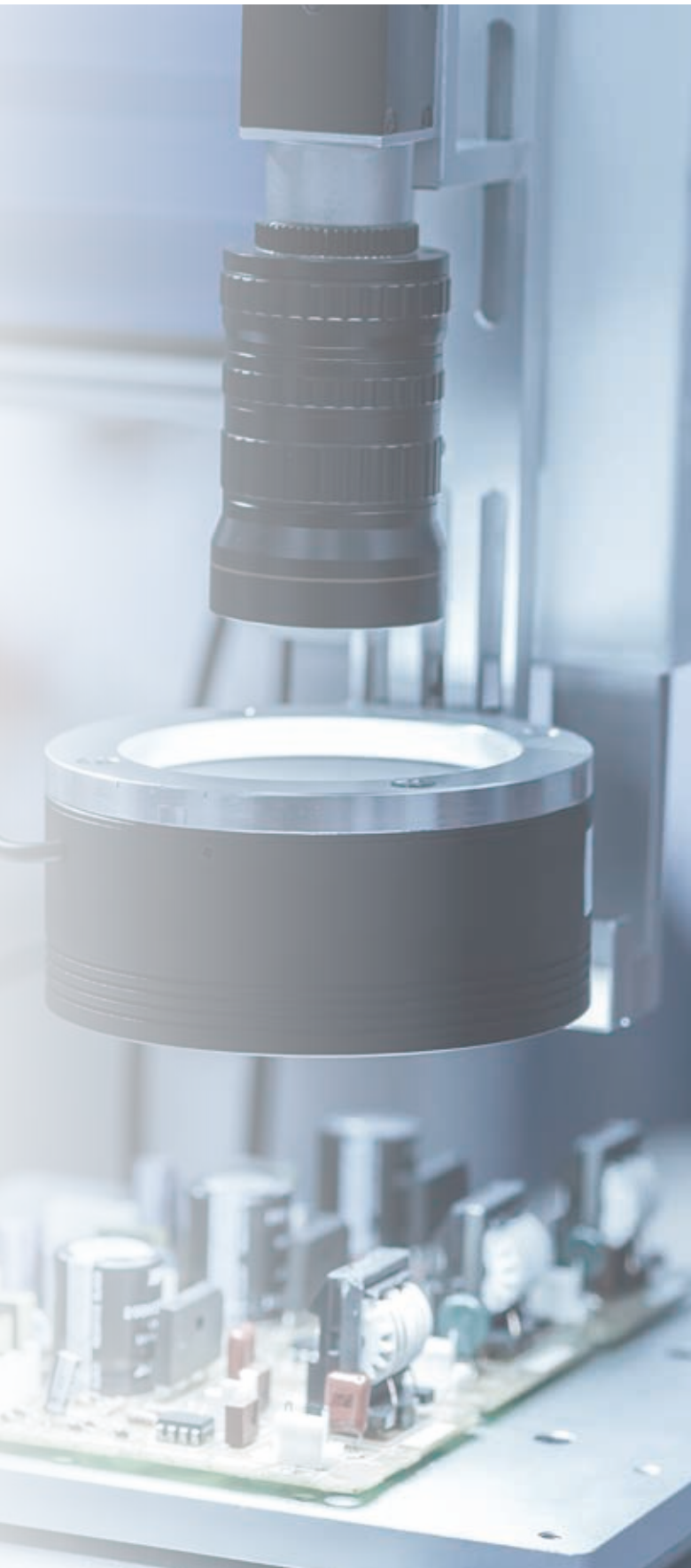
The Delta Machine Vision System DMV Series is suitable for various automatic inspections on equipment or production lines, such as quality inspection, positioning guidance, identification, dimension measurement and others. As one of the best systems to facilitate smart manufacturing, Delta's DMV Series covers:

- **DMV1000:** Features a user-friendly interface and requires no complicated settings. With built-in flash timer output control and a simultaneous dual-camera operation function, the DMV1000 greatly reduces the hardware development cost of vision detection systems.

The DMV1000 Series can quickly upload inspection data to PLCs and other host controllers via Ethernet, serial industrial network communication and I/O output, achieving quick integration with various automation systems.

- **DMV2000:** Matches with high-speed CameraLink cameras and various communication protocols, and can be rapidly integrated with external equipment. The DMV2000 supports multi-task inspection with up to four cameras to enhance efficiency and save development cost. As to program editing, the DMV2000 allows users to self-define the operation mode display / interface and offline mode functions to improve the utilization rate and flexibility.
- **DMV3000G:** Provides smart and user-friendly operation interface and adopts GigE cameras to achieve higher transmission speed. The DMV3000G retains the outstanding features of the DMV1000 and DMV2000, and provides a better user experience in different applications.

With its advanced vision inspection tools, the DMV Series enhances overall automation production efficiency and product quality for various industries, including machinery, automotive, rubber and plastics, pharmaceuticals, food & beverage, printing, packaging, metal processing, robotic arm integration applications, TFT, semiconductor, solar energy and other electronics industries.



Index

System Configuration	4
Features:	
DMV3000G	5
DMV2000	6
DMV1000	7
Applications	8
Specifications	12
Product Parts	15
Dimensions	24
Ordering Information	30
Globe Operations	34

System Configuration



Major Applications of Machine Vision Systems



Quality Inspection
Object and defect inspection



Positioning & Guidance
Cross center positioning,
edge positioning, guidance



Measurement & Counting
Dimension measurement,
package/product counting



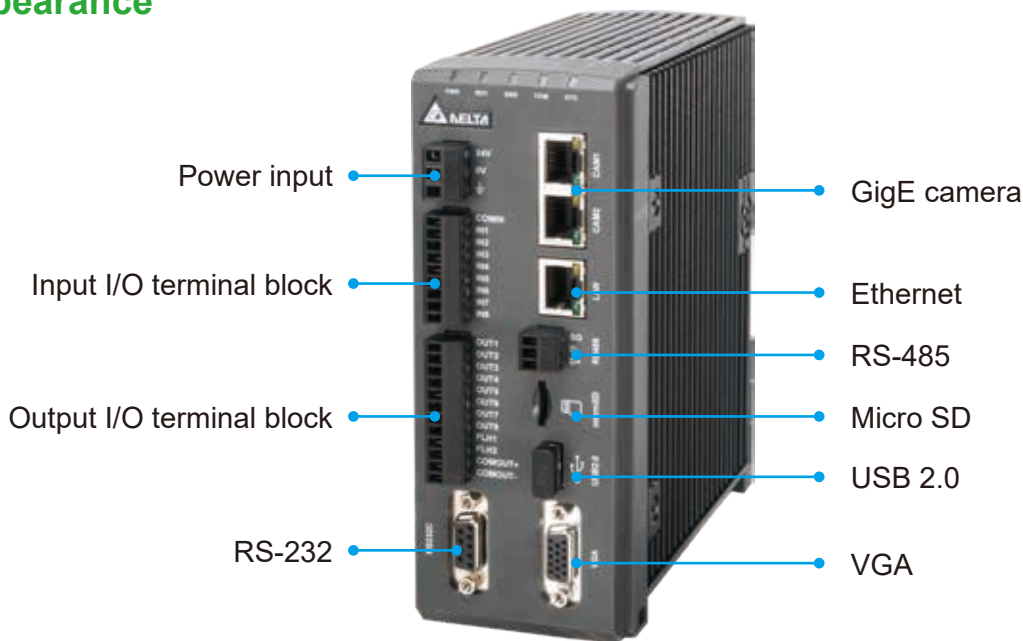
Identification
1D/2D barcode and character
identification

Features - DMV3000G

Supports max. 2 color/Mono GigE high speed color cameras for inspection, and transmits/outputs inspection data to other devices via Ethernet, R-232/485, and I/O

- Supports 2 color/monochrome GigE industrial cameras for simultaneous multi-task detection
- Smart and easy setup allows quick inspection project building
- Enhanced inspection speed to increase production efficiency and save cost
- Multiple built-in image inspection tools, saving program development and editing time

Appearance



Camera Specifications

Resolution	Level	Frame Rate	Pixel Dimensions (Horizontal x Vertical)	Sensor Size (mm) (Horizontal x Vertical)	Pixel Size (µm)	Lens Mount
0.3 M	Mono/Color	180 fps	640×480	1/3.6" (3×2.3)	4.8	C mount
2 M	Mono/Color	50 fps	1600×1200	1/1.8" (7.5×5.6)	4.7	C mount

Applications

Inspection for mobile phone lens quality, disposable coffee filters, and others on automation production lines in logistics, food and beverage packaging, electronics, printing industries and more

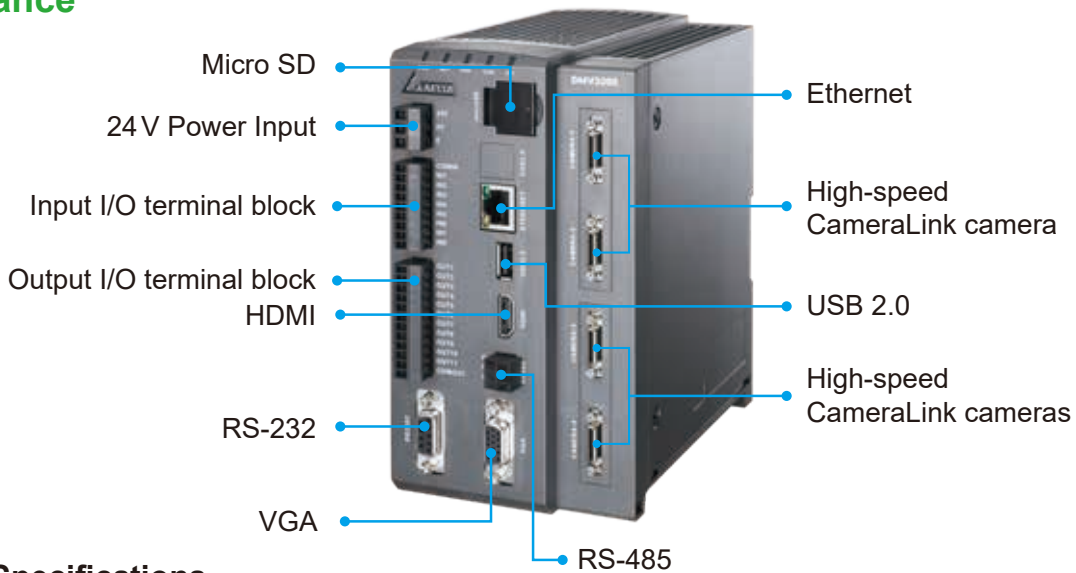


Features - DMV2000

Supports max. 4 color/greyscale CameraLink cameras for high-speed inspection tasks

- Improves efficiency and saves development cost: Simultaneous multi-task inspection with 4 cameras
- Reduces development and setup time: Smart operation process, user-friendly interface, multi-function vision development tools, PLC communication function for automatic data exchange
- Flexible configuration: Self-defined operation interface and display
- Multiple communication protocols: Quick connection with external devices
- Fast, stable image capture and transmission: Supports 0.3 M~1.2 M pixels color/monochrome CameraLink cameras for high-speed image capturing

Appearance



Camera Specifications

Resolution	Level	Frame Rate	Pixel Dimensions (Horizontal x Vertical)	Sensor Size (mm) (Horizontal x Vertical)	Pixel Size (µm)	Lens Mount
0.3M	Mono / Color	432 fps	642×484	1/3" (4.8×3.6)	7.4	C mount
2M	Mono / Color	333 fps	2048×1088	2/3" (11.26×5.98)	5.5	C mount
4M	Mono / Color	180 fps	2048×2048	1" (11.26×11.26)	5.5	C mount
5M	Mono / Color	35 fps	2448×2058	2/3" (8.4×7.0)	3.45	C mount
12M	Mono / Color	62 fps	4096×3072	1.76" (22.5×16.9)	5.5	F mount

Applications

Automation production lines, industrial robots, vision guided robotic system (VGRS) and more in food and beverage packaging, electronics, printing and pharmaceutical industries

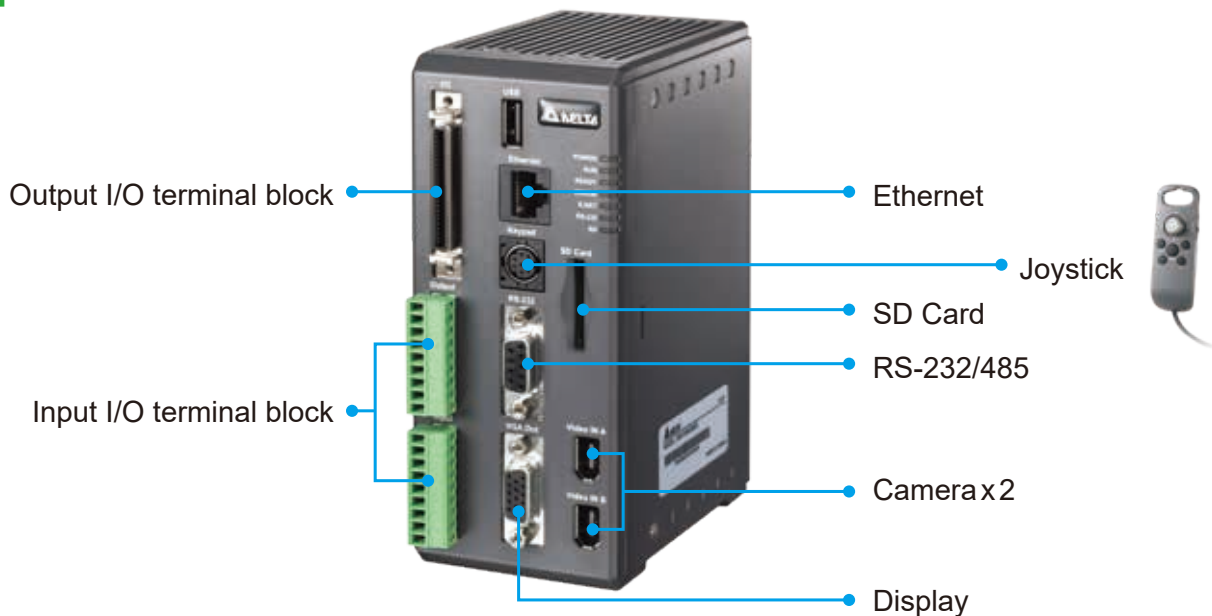


Features - DMV1000

Basic machine vision system that supports max. 2 IEEE1394 Mono cameras

- Programs, parameters, inspection images and results recorded and stored in SD cards
- Easy settings and operation with a joystick
- Provides a variety of digital I/O connections, a 9-pin input cord end terminal, a 9-pin output interface terminal, and a 50-pin input/output terminal
- Built-in vision inspection function development tools, no need for complex program editing
- Higher system reliability, better than PC-Based systems
- Compact design saves installation space

Appearance



Camera Specifications

Resolution	Level	Frame Rate	Pixel Dimensions (Horizontal x Vertical)	Sensor Size (mm) (Horizontal x Vertical)	Pixel Size (µm)	Lens Mount
0.3 M	Mono	80 fps	640×480	1/3"(4.8×3.6)	7.4	C mount
0.8 M	Mono	30 fps	1024×768	1/3"(4.8×3.6)	4.65	C mount

Applications

Automation production lines, industrial robots, vision guided robotic system (VGRS) and more in food and beverage packaging, electronics, printing and pharmaceutical industries



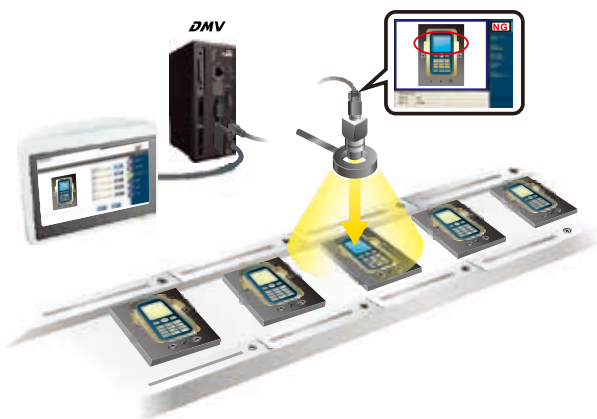
Applications

01 Quality Control

Object and Defect Inspection

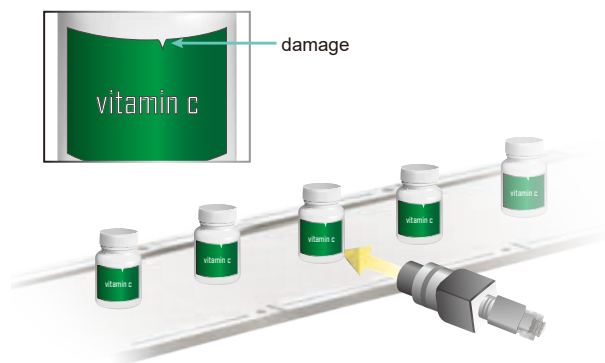
Object Inspection

Inspects product appearance such as buttons and touchscreens



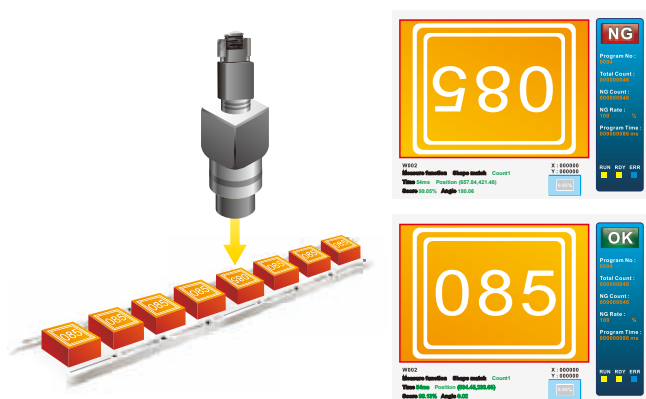
Label Inspection

Inspects stains or damage on labels



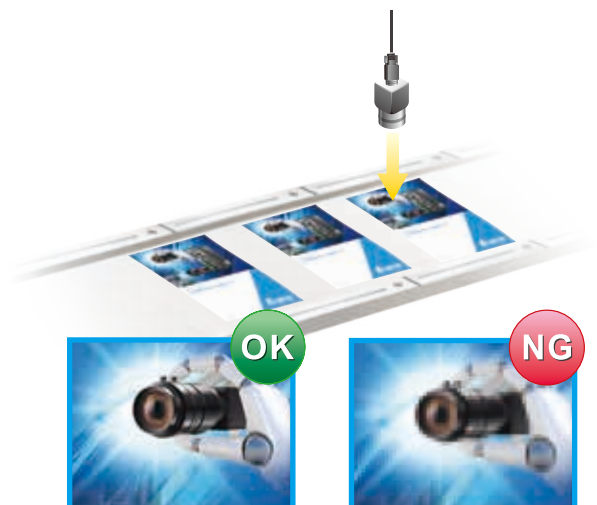
Direction Identification

Inspects the direction of workpieces conveyed on a production line



Printing Quality Inspection

Inspects pictures or graphs printed on paper or workpieces to ensure quality

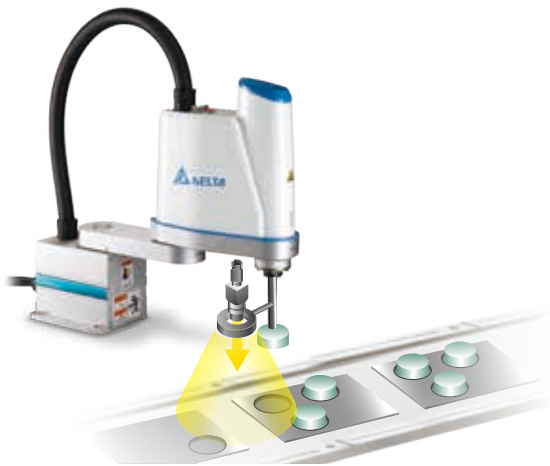


02 Positioning & Guidance

Cross Center Positioning, Edge Positioning, Guidance

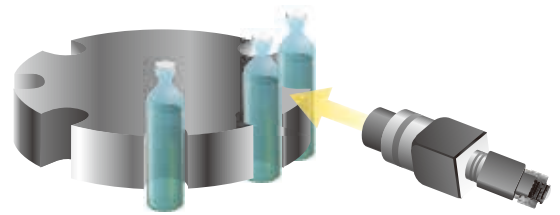
Vision Guidance for Robotic Pick-and-Place

Vision guidance for industrial robots to precisely perform workpiece pick-and-place



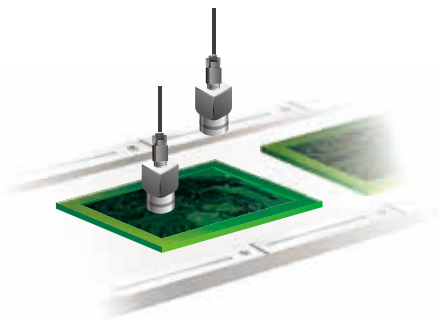
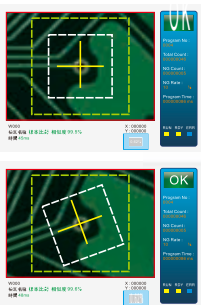
Beverage Packing Inspection

Inspects the liquid level of each bottle



Defect Detection

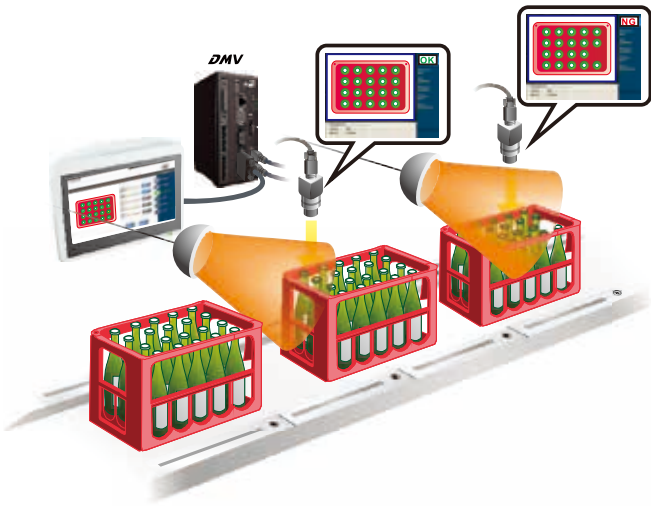
Automatic positioning of PCBs and TFT boards



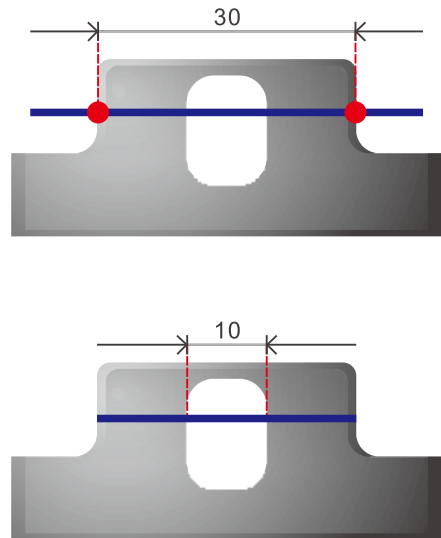
Applications

03 Measurement & Counting

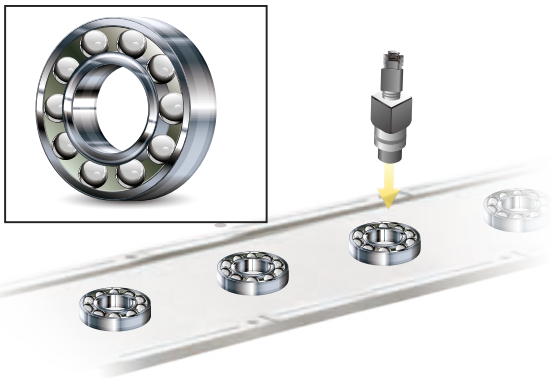
Object Counting



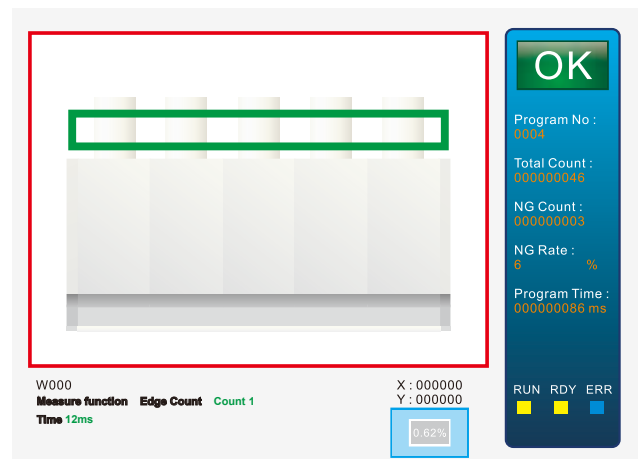
Dimensions Measurement



Bearing Ball Counting

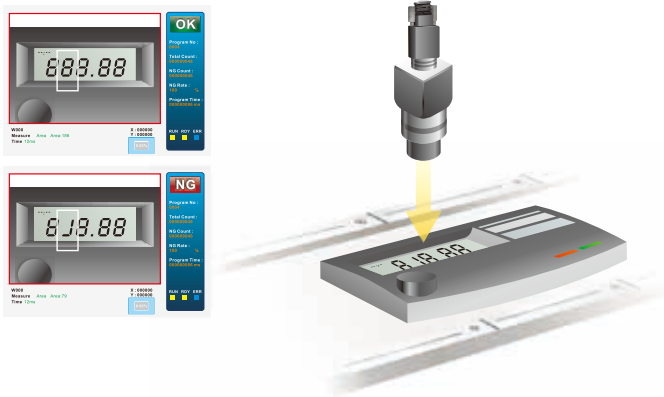


Pin Number Counting

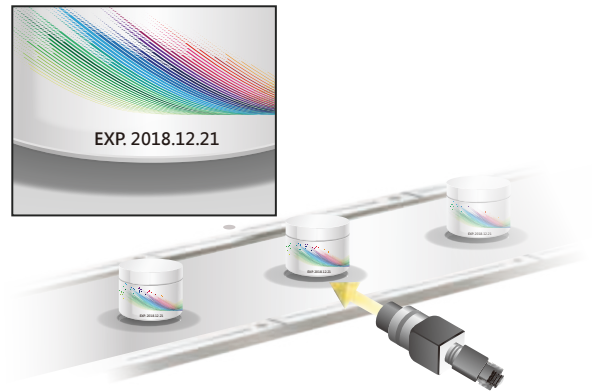


04 Identification

Optical Character Verification (OCV)



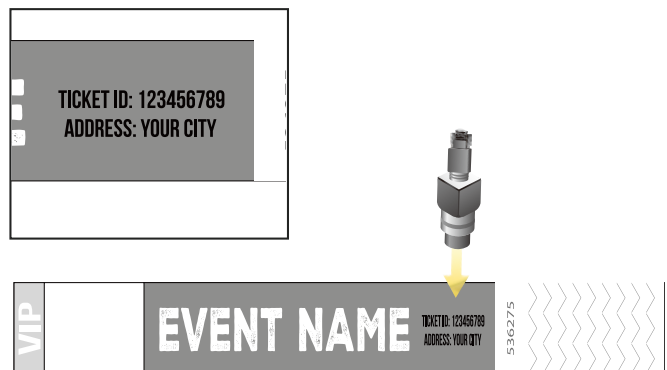
Production / Expiration Date Inspection



Barcodes Identification



Material Printing Correctness Identification



Specifications

Specifications	DMV3000G	DMV2000	DMV1000
Controllers			
Power Supply	24 V _{DC}	24 V _{DC}	24 V _{DC}
Operation Voltage Range	Rated Voltage 90% ~ 110%	Rated Voltage 90 % ~ 110 %	Rated Voltage 90 % ~ 110 %
Current Consumption	2 camera: below 2.5 A	4 cameras: below 4 A 2 camera: below 3.4 A	2 cameras: below 1A
Vibration Resistance	5~8.4Hz/3.5mm and 8.5~150Hz/1 G for 1 hr; XYZ axes	<ul style="list-style-type: none"> No error: XYZ axes / 10~55Hz/ 10 m/s² (1.0G) for 10 mins No damage: XYZ axes / 10~55Hz/ 20 m/s² (2.0G) for 2 hrs 	10~55Hz 10 m/s for 10 mins; XYZ axes
Shock Resistance	Max. 15 G XYZ axes / 6 directions, 3 times each	<ul style="list-style-type: none"> No error: 200 m/s² (20 G), 6-surface / 3-edge / 1-corner, 3 drops each No damage: 300 m/s² (30 G), 6-surface / 3-edge / 1-corner, 3 drops each 	Max. 300 m/s XYZ axes / 6 directions, 3 times each
Operating Ambient Temperature	-10°C ~ 50°C	0°C ~ 45°C	0°C ~ 50°C
Storage Temperature	-30°C ~ 85°C	-20°C ~ 65°C	-20°C ~ 65°C
Operating Relative Humidity	35% ~ 65% RH (non-condensing)	35% ~ 85% RH (with no icing or condensation)	35% ~ 65% RH (non-condensing)
Altitude	Under 2000 m	Under 2000 m	Under 2000 m
Cameras			
Type	Digital color / Mono GigE camera	Digital color / greyscale CameraLink camera	IEEE 1394a digital greyscale camera
Resolution	<ul style="list-style-type: none"> 0.3M: 640 (H) x 480 (V), Base: 120 fps 2 M: 1600 (H) x 1200 (V), Base: 50 fps 	<ul style="list-style-type: none"> 0.3M: 640 (H) x 484 (V), Base: 480 fps 2 M: 2048 (H) x 1088 (V), Base: 74 fps, Full: 295 fps 4 M: 2048 (H) x 2048 (V), Base: 40 fps, Full: 159 fps 5 M: 2448 (H) x 2048 (V), Base: 32 fps, Full: 35 fps 12 M: 4096 (H) x 3072 (V), Base: 13 fps, Full: 50 fps 	<ul style="list-style-type: none"> 0.3M: 640 (H) x 480 (V), Base: 80 fps 0.8M: 1024 (H) x 768 (V), Base: 30 fps
Shutter Speed	17 μs ~ 1.8 s	25 μs ~ 16.7 s	0.05 ms ~ 1 s or user-defined (16 kinds of speeds)
Lens Mount	C mount	C mount / F mount	C mount
Operation Environment Temperature	0°C ~ 45°C	0°C ~ 45°C	0°C ~ 45°C
Storage Environment Temperature	-20°C ~ 85°C	-20°C ~ 65°C	-30°C ~ 60°C
Weight	Approx. 50 g	Approx. 140 g	Approx. 58 g

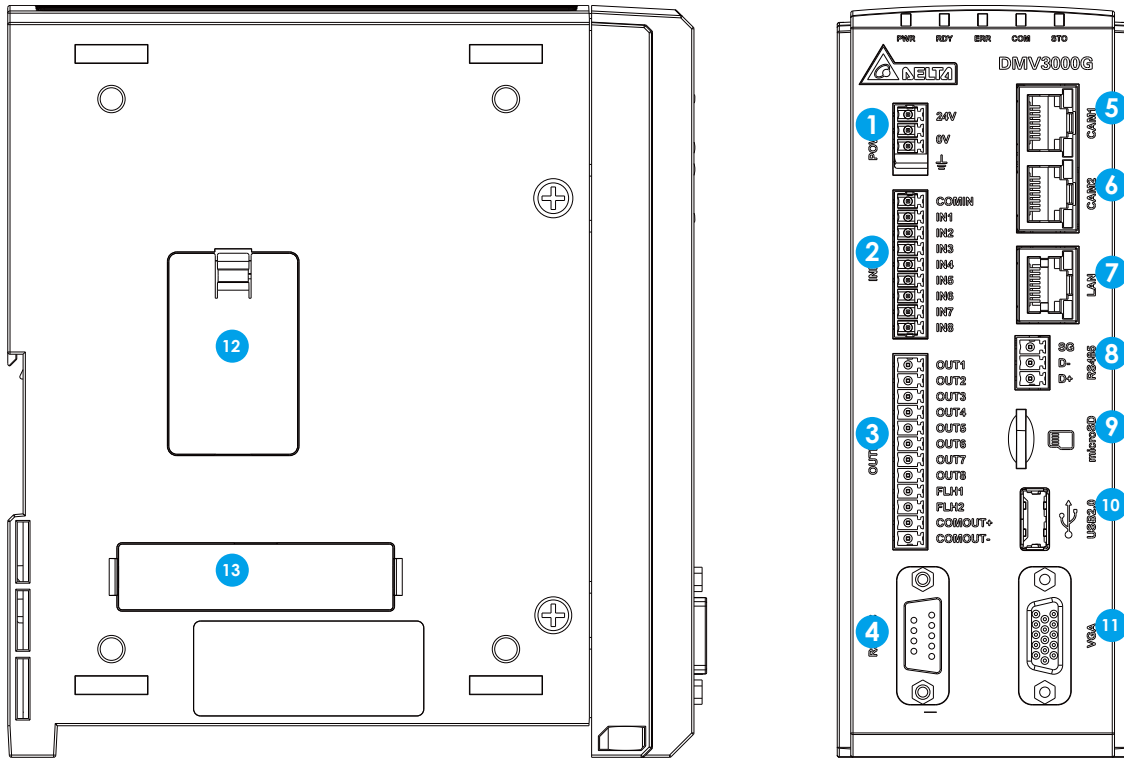
Specifications	DMV3000G	DMV2000	DMV1000
Functions			
Number of Cameras Connectable	Max. 2	DMV2000-CL4-HS: Max. 4 DMV2000-CL2-HS: Max. 2	Max. 2
Number of Projects	<ul style="list-style-type: none"> Internal memory: capacity varies according to projects/ up to 1,000 Memory card: capacity varies according to projects/ up to 9,999 Supports changeover by I/O and communication (RS-232, RS-485, Ethernet) 	<ul style="list-style-type: none"> Internal memory: Approx. 6,000 projects SD card: no capacity limit Supports changeover by I/O and communication (RS-232, RS-485, Ethernet) 	<ul style="list-style-type: none"> 32 projects in internal memory 68 projects in SD Card Supports changeover by I/O and communication
Inspection Window			
Q'ty	Max. 128 screens/per process Max. 2 processes/per project	Max. 1,000 screens/per project	Max. 128 screens/per project
ROI Type	Rectangle, circle, polygon, ellipse, ring, sector, rotated rectangle	Rectangle, circle, polygon, ellipse, ring, sector, rotated rectangle	Rectangle, circle, polygon, ellipse, ring, sector, rotated rectangle
Mask Area	8 areas/window	8 areas/window	4 areas/window
Type	Rectangle, circle, polygon, ellipse, ring, sector, rotated rectangle	Rectangle, circle, polygon, ellipse, ring, sector, rotated rectangle	Rectangle, circle, polygon, ellipse, ring, sector, rotated rectangle
Execution Mode	Always execute, never execute, execute according to references	Always execute, never execute	Always execute, never execute, execute according to references
Inspection Units			
Shape	O	O	O
Edge Angle	O	O	O
Edge Count	O	O	O
Edge Pitch	O	O	O
Edge Position	O	O	O
Edge Width	O	O	O
Area	O	O	O
Blob	O	O	O
Intensity	O	O	O
Position Trace	O	O	O
Width Trace	O	O	O
Stain	O	O	O
OCV	O	O	O
Comparison	X	O	X
Color	O	O	X
1D Barcode	O	O	O
2D Barcode	O	O	O
Sorting	X	X	O
Mark	X	X	O
1P Position	X	O	X
Blob Matching	X	O	X

Specifications

Specifications	DMV3000G	DMV2000	DMV1000
Image Pre-process			
Binarization	O	O	O
Expansion	O	O	O
Erosion	O	O	O
Average	O	O	O
Median	O	O	O
Crispeneing	O	O	O
Laplacian	O	O	O
Sobel X	O	O	O
Sobel Y	O	O	O
Sobel	O	O	O
Prewitt	X	X	O
Roberts	X	X	O
Difference	O	O	O
Color Extraction	O	O	X
Brightness Adjustment	O	O	X
Contrast Enhancement	O	O	X
Shadow Compensation	O	O	X
Top Hat	X	O	X
Bottom Hat	X	O	X
Self-defined Filter	X	O	X
Numerical Calculation			
Q'ty	Max. 1,024/Project	Max. 1,000/Project	32
Arithmetic	Plus, Subtract, Multiply, Divide	Plus, Subtract, Multiply, Divide	Plus, Subtract, Multiply, Divide
Communication Protocols	Configurable input pins: 8 (high speed) Configurable output pins: 11 (high speed) RS-232 (max. 230,400 bps) RS-485 (max. 230,400 bps) Ethernet (10/100/1000 BASE-T)	Configurable input pins: 8 (high speed) Configurable output pins: 11 (high speed) RS-232 (max.115,200 bps) RS-485 (max. 230,400 bps) Ethernet (1000 BASE-T/100 BASE-TX/10 BASE-T)	RS-232 (max. 115,200bps) RS-485 (max. 115,200 bps) Ethernet (10/100BASE-T)
Display			
Screen	XGA 1,024×768 output	FHD 1,920×1,080 output	XGA 1,024×768 output
Scale	5%~800% adjustable	5%~1,000% adjustable	20%~200% adjustable
Language	Traditional Chinese, Simple Chinese, English	Traditional Chinese, English	Traditional Chinese, Simple Chinese, English
Operation Interface			
Operation	Mouse (standard 3 keys)	Mouse (standard 3 keys)	Joystick
Camera Flash Control	I/O output control, max. 2 settings	I/O output control, max. 2 settings	I/O output control, max. 2 settings
Memory Card	Micro SD card (max. 32 GB); Class 10	Micro SD card (max. 32 GB); Class 10	SC card (max. 16 GB)

Product Parts - DMV3000G

Controller



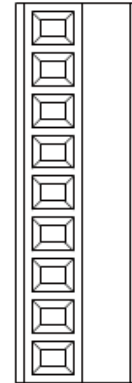
No.	Name	Description
1	Power supply	24 V Power input
2	Input I/O terminal block	Input terminal (9-pin)
3	Output I/O terminal block	Output terminal (12-pin)
4	RS-232 serial port	Supports master/slave serial communication
5	Camera 1 connector	GigE camera connection
6	Camera 2 connector	GigE camera connection
7	Ethernet connector	10/100/1000 BASE-T communication
8	RS-485 serial port	Supports master/slave serial communication
9	Micro SD card slot	Stores the project settings and images backup
10	USB 2.0 connector	Mouse
11	VGA output port	Connects to external VGA monitor
12	Button cell battery slot	Power supply for perpetual calendar operation
13	Expansion module slot	Flash control, expanded I/O

Product Parts - DMV3000G

9-Pin Power Terminal

No.	Name	Description
1	COMIN	9-pin input COM
2	IN1	Camera 1 capture trigger
3	IN2	Camera 2 capture trigger
4	IN3	Test status (no inspection results generated for output)
5	IN4	Trigger disabled (inspection disabled)
6	IN5	Parallel output handshaking flag
7	IN6	System reset
8	IN7	Disable image capture trigger
9	IN8	Controller parallel input handshaking sign

Default Setting

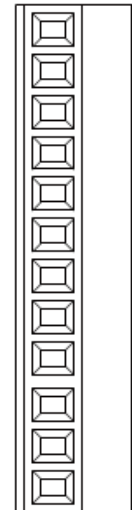


- 1 - COMIN
- 2 - IN1(TRG1)
- 3 - IN2(TRG2)
- 4 - IN3(TEST)
- 5 - IN4(TROFF)
- 6 - IN5(ACK)
- 7 - IN6(RST)
- 8 - IN7(TROFF)
- 9 - IN8(ACK)

12-Pin Power Terminal

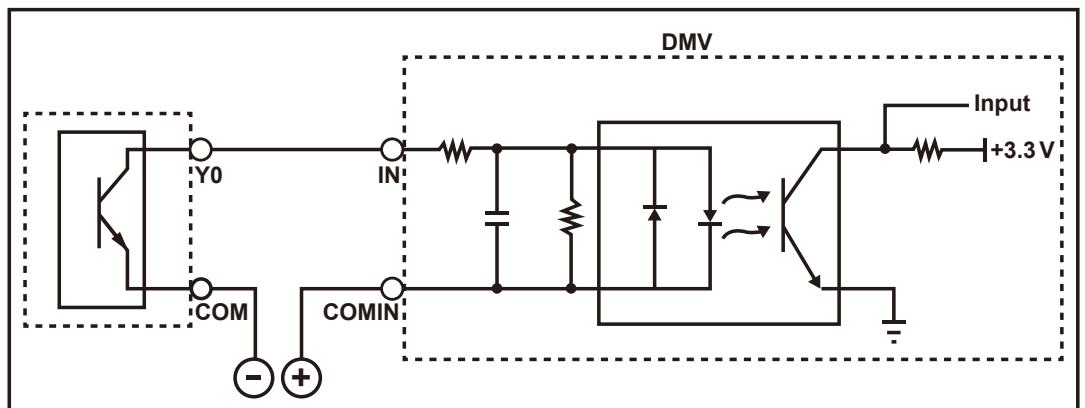
No.	Name	Description
1	OUT1	Flow 1 standby for image capture and inspection output
2	OUT2	Flow 2 standby for image capture and inspection output
3	OUT3	Camera 1 capture complete
4	OUT4	Camera 2 capture complete
5	OUT5	Judgement Result Output 1
6	OUT6	Judgement Result Output 2
7	OUT7	Judgement Result Output 3
8	OUT8	Judgement Result Output 4
9	FLH1	Camera 1 flash output
10	FLH2	Camera 2 flash output
11	COMOUT+	Common output port (Please connect to a positive power supply)
12	COMOUT-	Common output port (Please connect to a negative power supply)

Default Setting

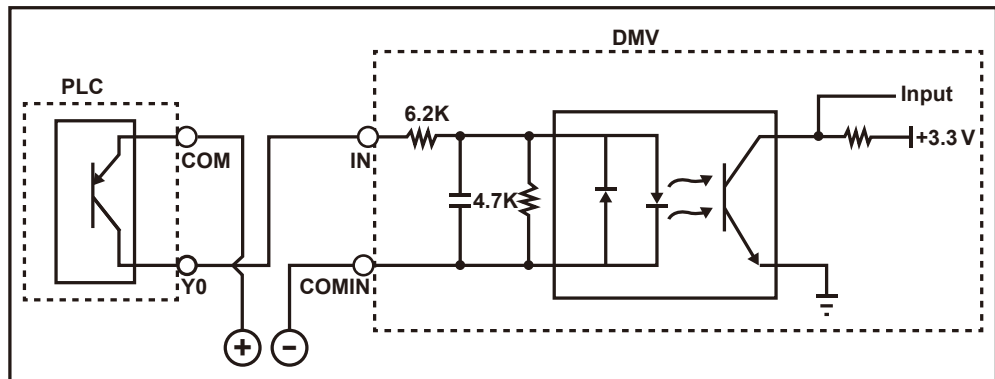


- 1 - OUT1(RDY)
- 2 - OUT2(RDY2)
- 3 - OUT3(REND1)
- 4 - OUT4(REND2)
- 5 - OUT5(TOUT1)
- 6 - OUT6(TOUT2)
- 7 - OUT7(TOUT3)
- 8 - OUT8(TOUT4)
- 9 - FLH1
- 10 - FLH2
- 11 - COMOUT+
- 12 - COMOUT-

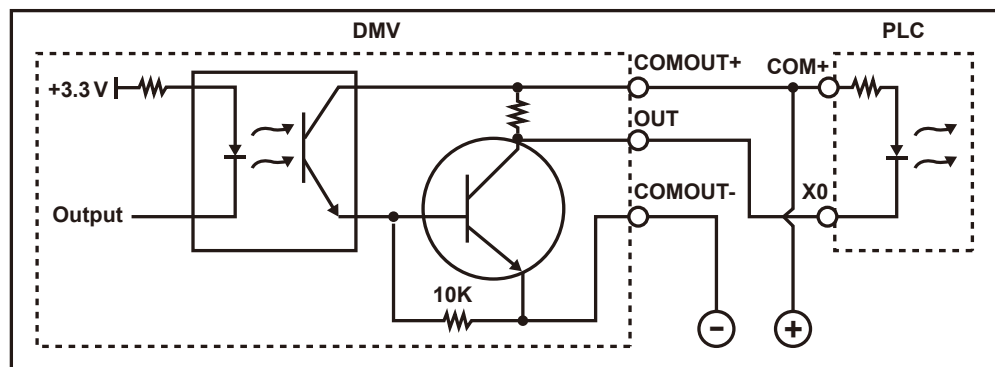
Input Circuit (NPN)



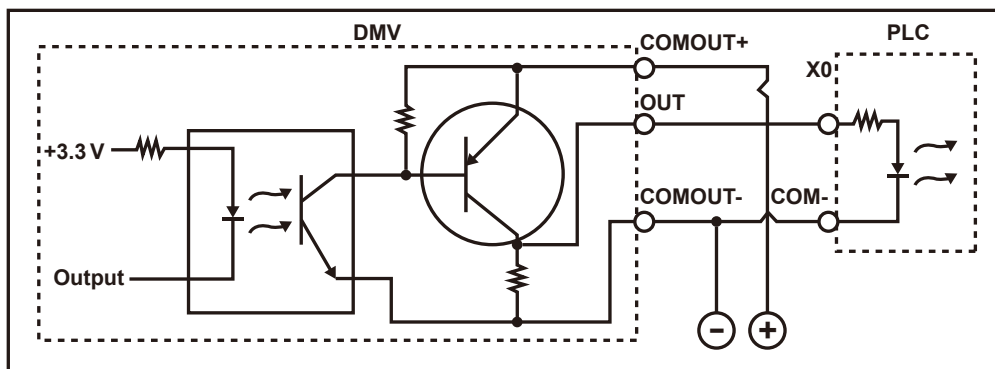
Input Circuit (PNP Input)



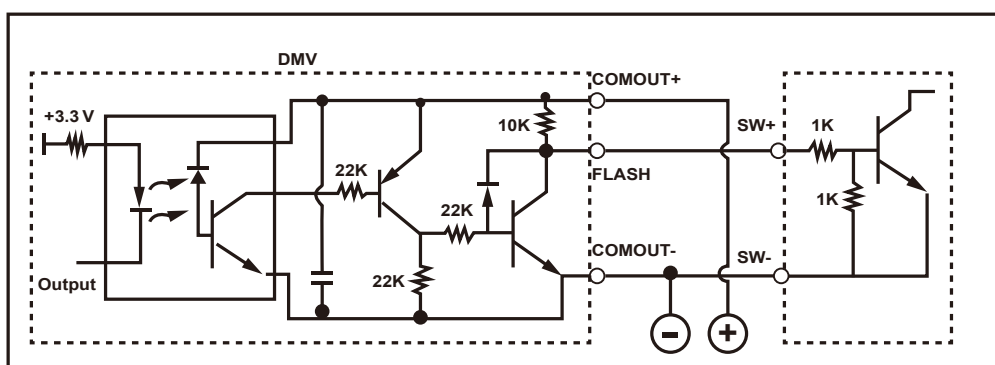
Output Circuit (NPN Output)



Output Circuit (PNP Output)

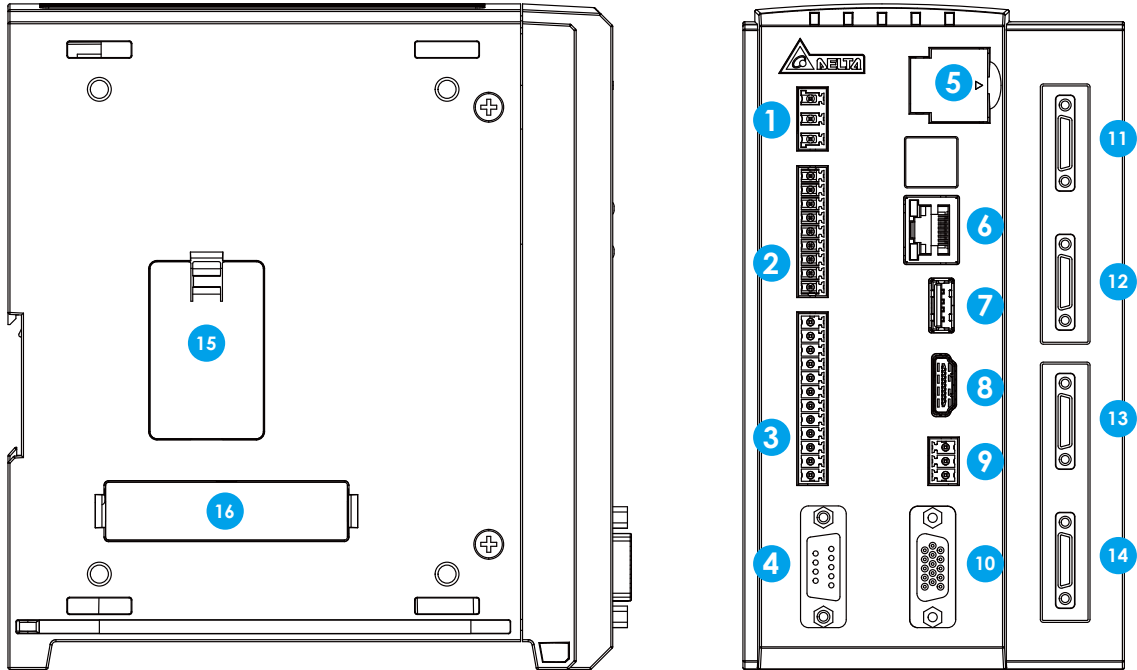


FLASH Output



Product Parts - DMV2000

Controller

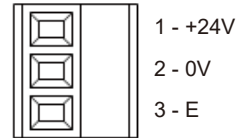


NO.	Name	Description
1	Power input terminal block	24 V power input
2	Input I/O terminal block	Input terminal (9-pin)
3	Output I/O terminal block	Output terminal (12-pin)
4	RS-232 serial port	Supports master/slave serial communication
5	Micro SD card slot	Stores the project settings and images backup
6	Ethernet connector	10/100/1000 BASE-T communication
7	USB 2.0 connector	Mouse
8	HDMI output port	Connects to external HDMI monitor (Resolution: 1,920 x 1,080)
9	RS-485 serial port	Supports master/slave serial communication
10	VGA output port	Connects to external VGA monitor (Resolution: 1,920 x 1,080)
11	Camera 1 connector	Resolution: 0.3M, 2M, 4M, 5M or 12M camera
12	Camera 2 connector	Resolution: 0.3M, 2M, 4M, 5M or 12M camera
13	Camera 3 connector	Resolution: 0.3M, 2M, 4M, 5M or 12M camera
14	Camera 4 connector	Resolution: 0.3M, 2M, 4M, 5M or 12M camera
15	Button cell battery slot	Power supply for perpetual calendar operation
16	Expansion module slot	Camera flash control, expanded I/O

3-Pin Power Terminal

NO.	Name	Description
1	+24V	Positive power supply
2	0V	Negative power supply
3	E	Grounding

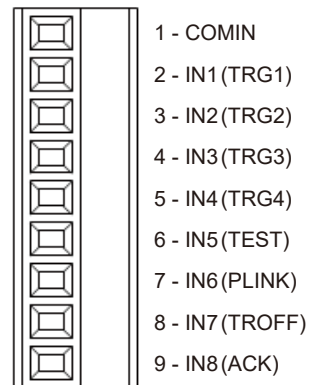
Default Setting



9-Pin Power Terminal

NO.	Name	Description
1	COMIN	9-pin input COM
2	IN1 (TRG1)	Camera 1 image capture trigger
3	IN2 (TRG2)	Camera 2 image capture trigger
4	IN3 (TRG3)	Camera 3 image capture trigger
5	IN4 (TRG4)	Camera 4 image capture trigger
6	IN5 (TEST)	Test condition (no data output)
7	IN6 (PLINK)	PLC communication link start sign
8	IN7 (TROFF)	Disable image capture trigger
9	IN8 (ACK)	Controller parallel input handshaking sign

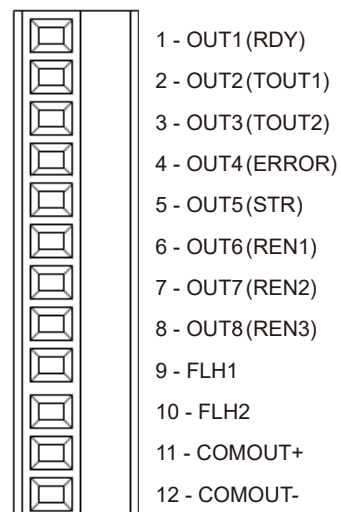
Default Setting



12-Pin Output

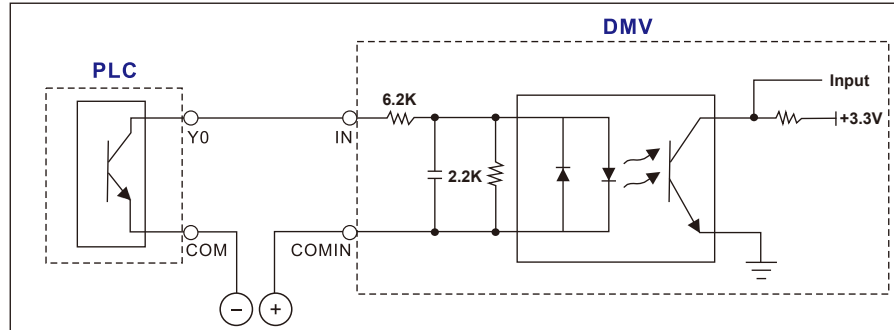
NO.	Name	Description
1	OUT1	Controller standby for image capture and inspection output
2	OUT2	Judgement Result Output 1
3	OUT3	Judgement Result Output 2
4	OUT4	Error indicator
5	OUT5	Parallel output handshake flag
6	OUT6	Camera 1 capture complete
7	OUT7	Camera 2 capture complete
8	OUT8	Camera 3 capture complete
9	FLH1	Camera 2 flash output
10	FLH2	Camera 2 flash output
11	COMOUT+	Common output port (Please connect to a positive power supply)
12	COMOUT-	Common output port, (Please connect to a negative power supply)

Default Setting

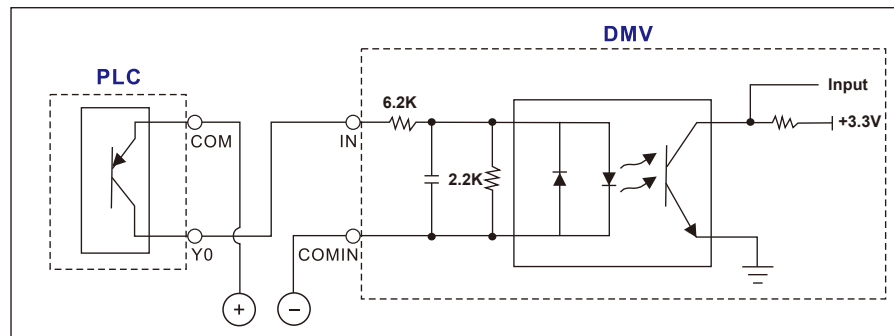


Product Parts - DMV2000

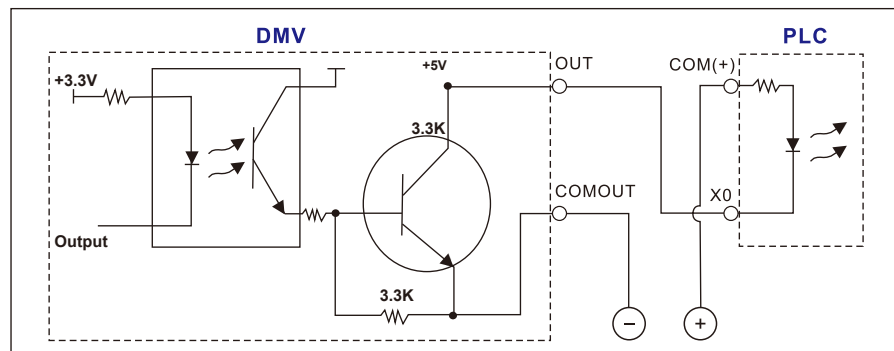
Input Circuit (NPN Input)



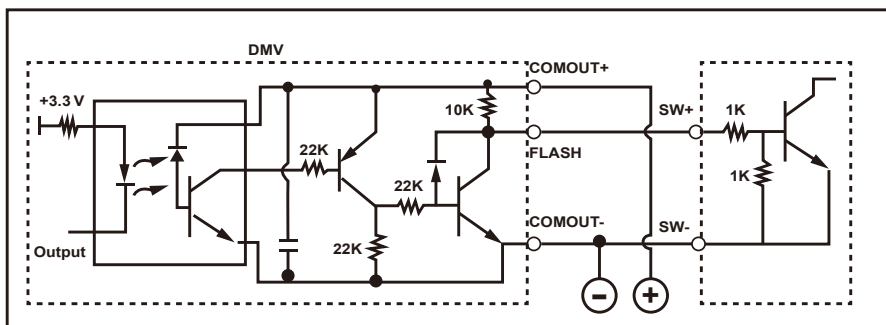
Input Circuit (PNP Input)



Output Circuit (NPN Output)



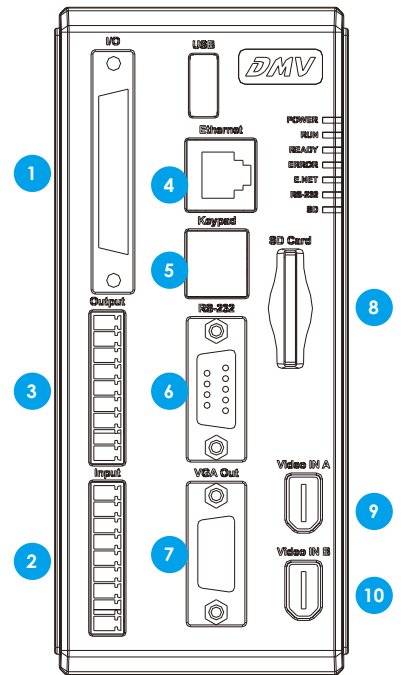
FLASH Output



Product Parts - DMV1000

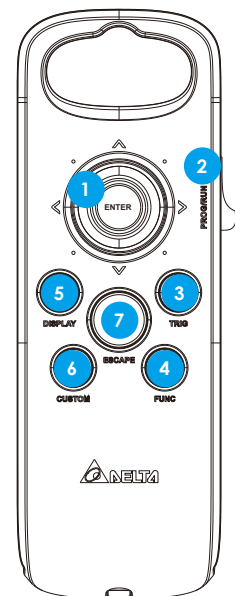
Controller

NO.	Name	Description
1	Parallel I/O interface	Input/Output
2	Output I/O terminal block	Output
3	Input I/O terminal block	Input
4	Ethernet connector	10/100BASE-T communication
5	Keypad connector	Connect to keypad
6	RS-232/RS-485 serial port	Supports Master/slave serial communication
7	VGA output port	Connects to external VGA monitor made by other manufacturers
8	SD memory card	Stores the project settings and images backup
9	Camera 1 connector	Resolution: 1024×768, 640×480
10	Camera 2 connector	Resolution: 1024×768, 640×480



Joystick

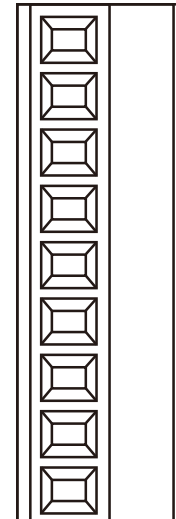
NO.	Name	Description
1	Move and Enter	8 directions selectable and enter setting
2	PROG/RUN	Switches between programming mode and run mode
3	TRIG	Inspection trigger
4	FUNC	Selects different modes during RUN operation
5	DISPLAY	Switches inspection windows of camera 1 and camera 2
6	CUSTOM	Image preprocessing select
7	ESCAPE	Exit key



Product Parts - DMV1000

9-Pin Power Terminal

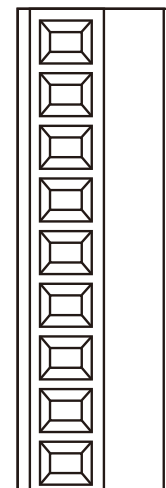
NO.	Name	Description
1	COMIN1	9-pin input COM
2	TRIG1	Camera 1 image capture trigger
3	TRIG2	Camera 2 image capture trigger
4	PLINK	PLC communication link start sign
5	TROFF	Disable image capture trigger
6	TEST	Test condition (no data output)
7	+24V	Positive power supply
8	0V	Negative power supply
9	E	Grounding



- 1-COMIN1
- 2-TRIG1
- 3-TRIG2
- 4-PLINK
- 5-TROFF
- 6-TEST
- 7-+24V
- 8-0V
- 9-E

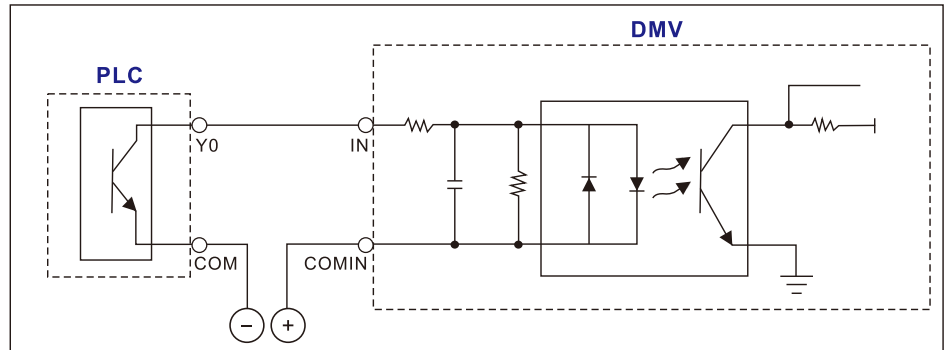
9-Pin Output

NO.	Name	Description
1	TOUT	Overall inspection result output
2	RUN (TOUT2)	Operation status indicator (TOUT2)
3	READY	Controller ready for image inspection result output
4	ERROR	Error(s) occur(s)
5	COMOUT1	Common 9-pin output port
6	FLASH1	Camera 1 flash output
7	FLASH2	Camera 2 flash output
8	COMFLA+	Common output port (Please connect to a positive power supply)
9	COMFLA-	Common output port (Please connect to a negative power supply)

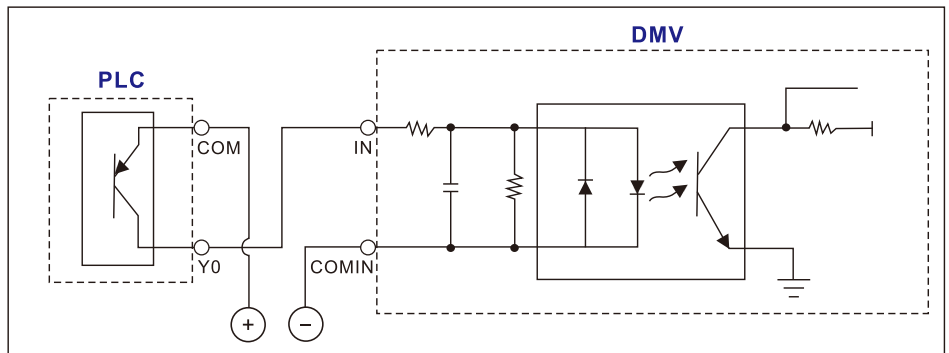


- 1-TOUT
- 2-RUN (TOUT2)
- 3-READY
- 4-ERROR
- 5-COMOUT1
- 6-FLASH1
- 7-FLASH2
- 8-COMFLA+
- 9-COMFLA -

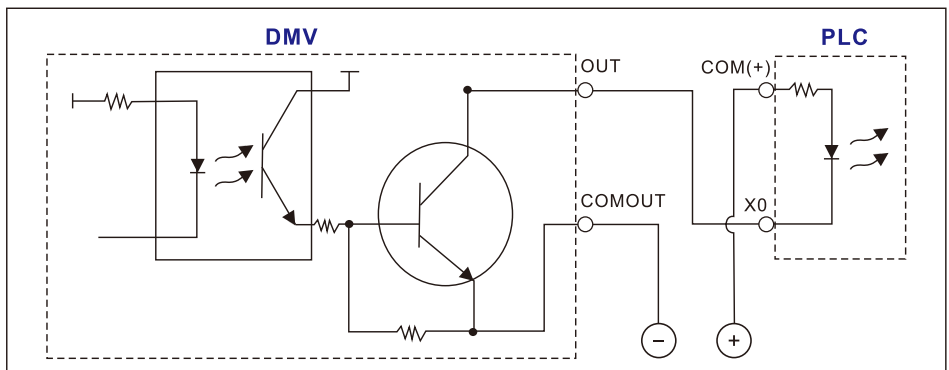
**Input Circuit
(NPN)**



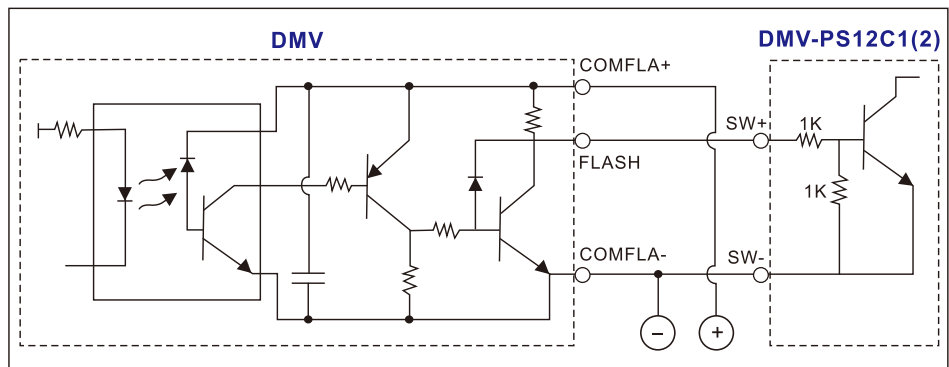
**Input Circuit
(PNP Input)**



**Output Circuit
(NPN Output)
(FLASH 1 and
FLASH 2 Excluded)**



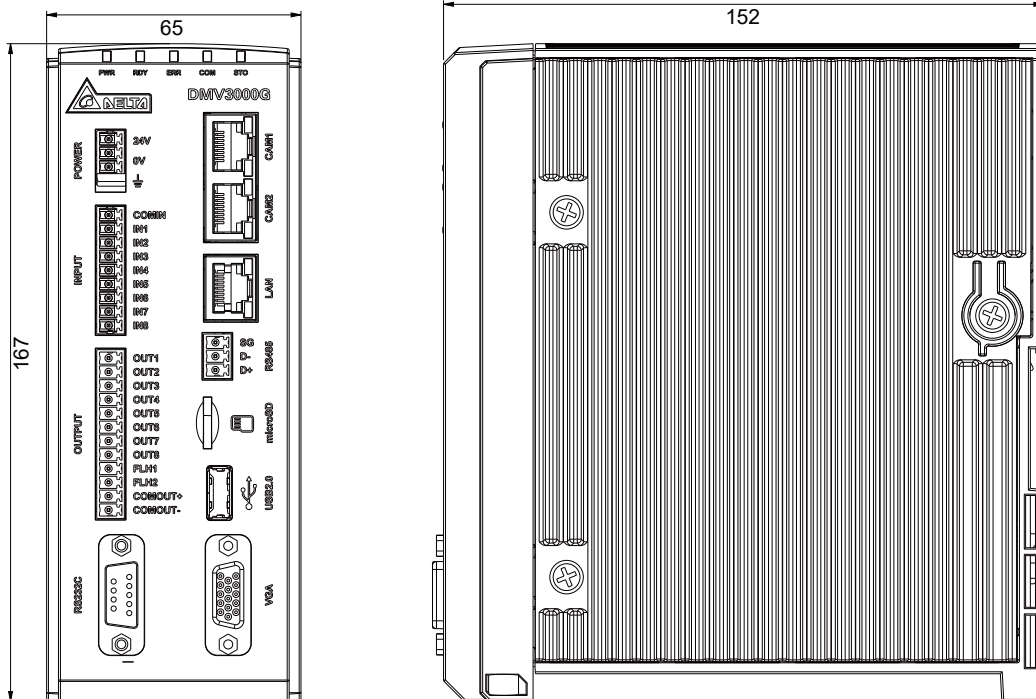
**FLASH 1 & 2
Output Circuit**



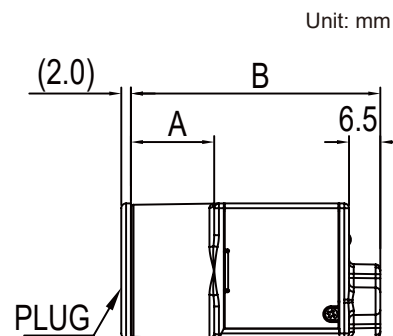
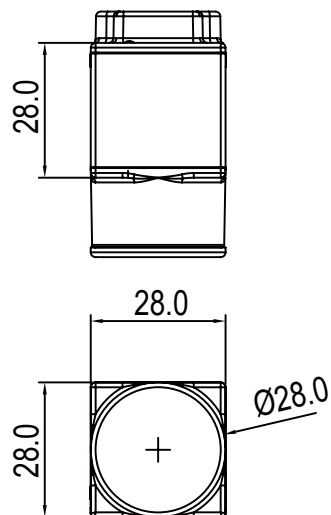
Dimensions

DMV3000G Controller

Unit: mm



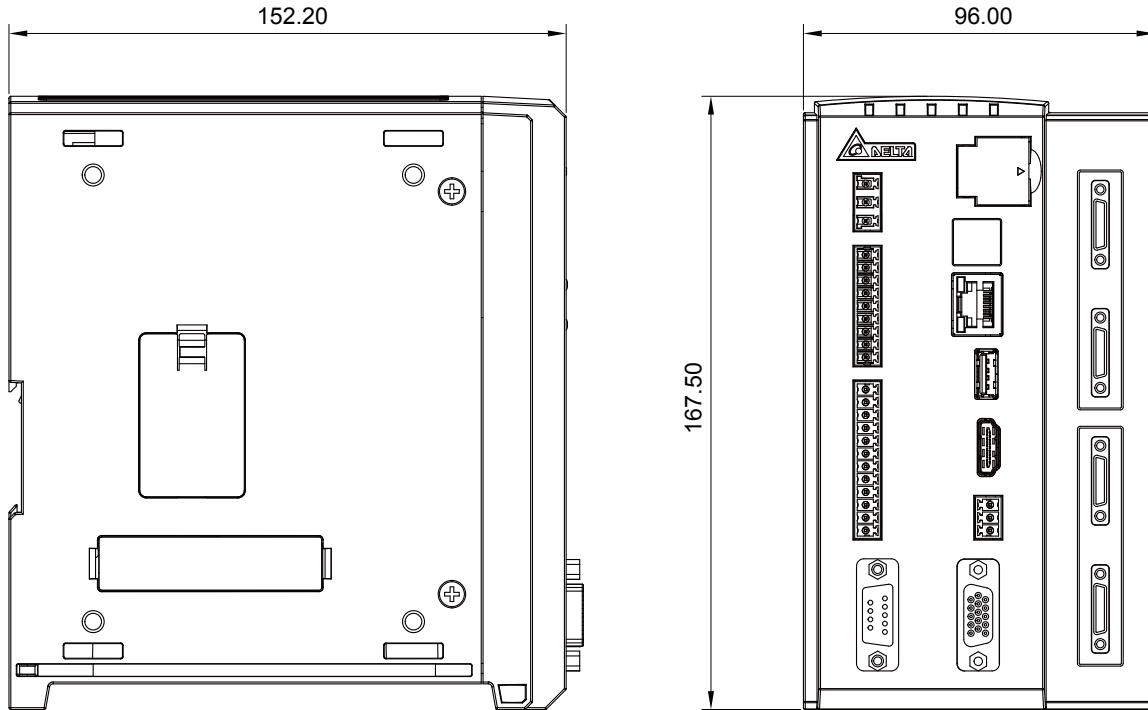
Camera for DMV3000G



Dimensions	A	B
DMV-CM2MXXX-D	17.30 mm	51.80 mm
DMV-CM30XXX-D	16.18 mm	50.68 mm

DMV2000 Controller

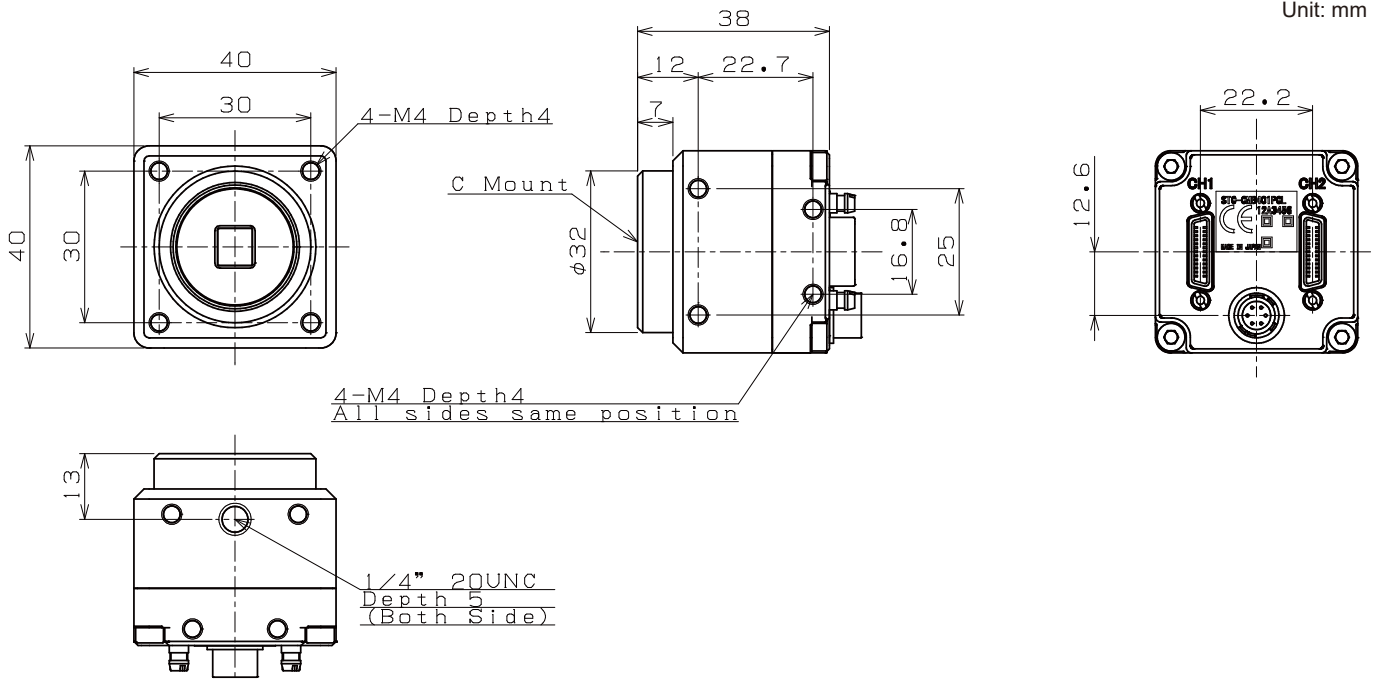
Unit: mm



Cameras for DMV2000

CMOS 0.3M

Unit: mm

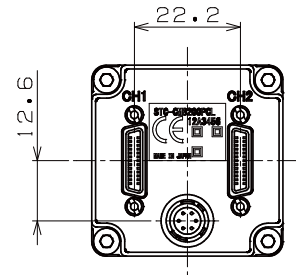
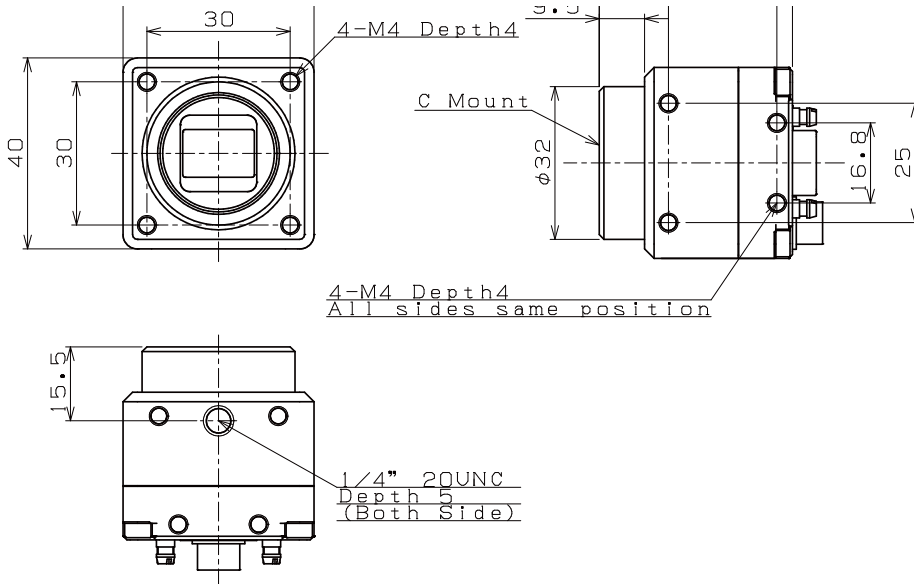


Dimensions

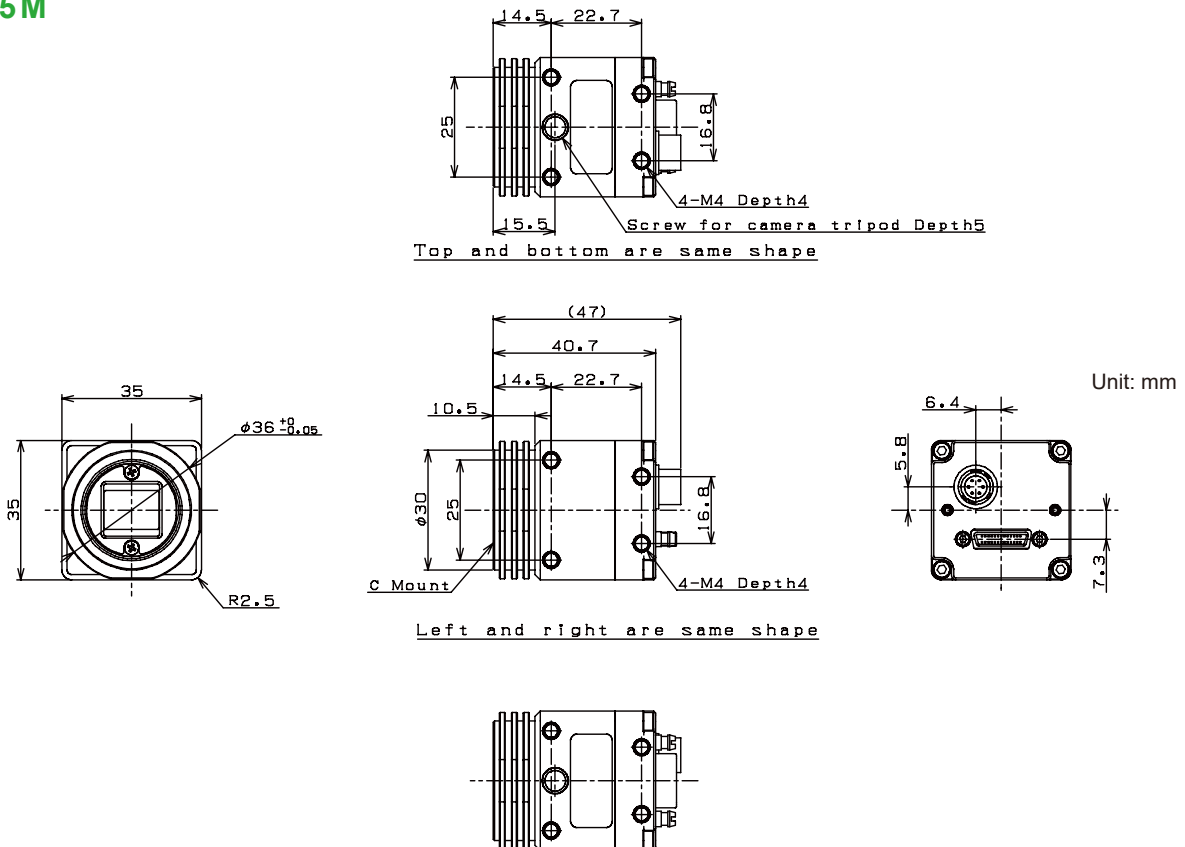
Cameras for DMV2000

CMOS 2M / 4M

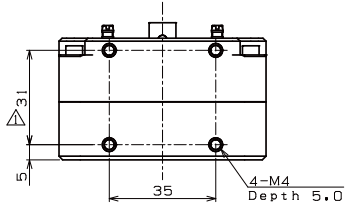
Unit: mm



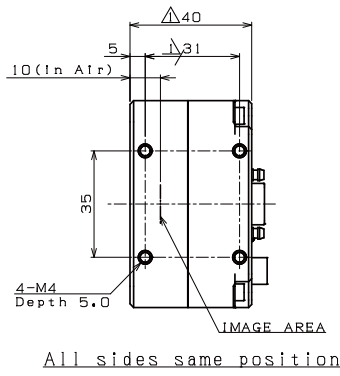
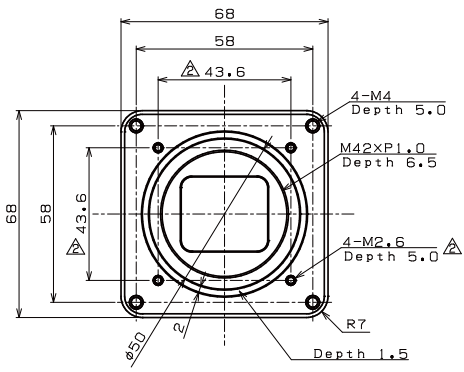
CMOS 5M



CMOS 12M

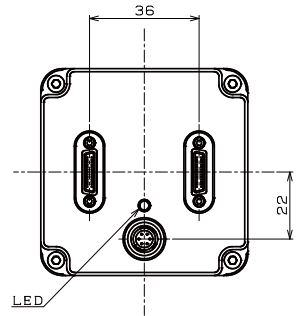


All sides same position

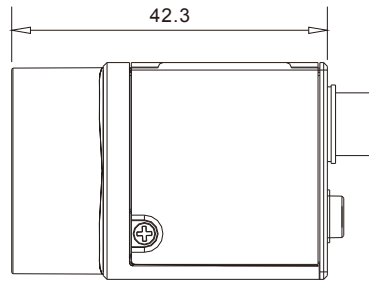
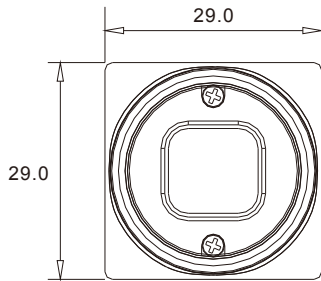
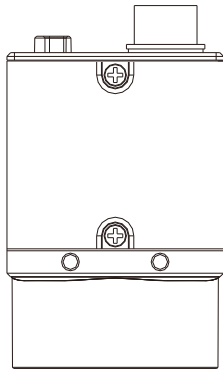


All sides same position

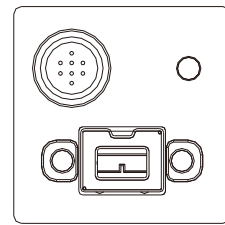
Unit: mm



Camera for DMV1000



Unit: mm



Ordering Information

▪ Controllers

DMV3000G	DMV3000-GE2-VL	Standard model controller for max. 2 cameras connectable
DMV2000	DMV2000-CL2-HS	Standard model controller for max. 2 cameras connectable
	DMV2000-CL4-HS	Standard model controller for max. 4 cameras connectable
DMV1000	DMV1000-80GXC	Standard model controller for max. 2 cameras connectable

▪ High-speed Camera Cables

DMV3000G	DMV-CAF5MGE	GigE FLEX cable (5M, flexible)
	DMV-CAF10MGE	GigE FLEX cable (10M, flexible)
DMV2000	DMV-CAF03CL	CameraLink FLEX cable (3M, flexible)
	DMV-CAF05CL	CameraLink FLEX cable (5M, flexible)
DMV1000	DMV-CA45	IEEE1394 cable (4.5M)
	DMV-CA50F	IEEE1394 flexible cable (5M, flexible)

▪ Joystick

DMV1000	DMV1000-KEY	Specifically for DMV1000
----------------	--------------------	--------------------------

▪ Illumination

DMV3000G DMV2000 DMV1000	DMV-CX40W	Coaxial white light
	DMV-DR6736R	Direct ring (red)
	DMV-DR6736W	Direct ring (white)
	DMV-DR6736D	Diffusion board
	DMV-BL60R	Back light (red)



▪ Cameras

DMV3000G	DMV-CM30CGE-D	CMOS CAMERA 0.3M COLOR GigE (640x480)
	DMV-CM30GGE-D	CMOS CAMERA 0.3M MONO GigE (640x480)
	DMV-CM2MCGE-D	CMOS CAMERA 2.0M COLOR GigE (1600x1200)
	DMV-CM2MGGE-D	CMOS CAMERA 2.0M MONO GigE (1600x1200)
DMV2000	DMV-CM30CCL	CMOS CAMERA 0.3M COLOR CameraLink (640x480)
	DMV-CM30GCL	CMOS CAMERA 0.3M MONO CameraLink (640x480)
	DMV-CM2MCCL	CMOS CAMERA 2.0M COLOR CameraLink (2048x1088)
	DMV-CM2MGCL	CMOS CAMERA 2.0M MONO CameraLink (2048x1088)
	DMV-CM4MCCL	CMOS CAMERA 4.0M COLOR CameraLink (2048x2048)
	DMV-CM4MGCL	CMOS CAMERA 4.0M MONO CameraLink (2048x2048)
	DMV-CM5MCCL	CMOS CAMERA 5.0M COLOR CameraLink (2448x2048)
	DMV-CM5MGCL	CMOS CAMERA 5.0M MONO CameraLink (2448x2048)
	DMV-CM12MCCL	CMOS CAMERA 12M COLOR CameraLink (4096x3072)
	DMV-CM12MGCL	CMOS CAMERA 12M MONO CameraLink (4096x3072)
DMV1000	DMV-CDA30GS	CCD CAMERA 0.3M MONO IEEE1394 (640x480)
	DMV-CDA80GS	CCD CAMERA 0.8M MONO IEEE1394 (1024x768)

▪ Power Supply (for LED Illumination)

DMV3000G DMV2000 DMV1000	DMV-PS12C1	Single-channel output
	DMV-PS12C2	Dual-channel output
	DMV-CA30P	Extension cable for illumination

Ordering Information

▪ Cameras

Controller		DMV3000G			
Camera		DMV-CM30GGE-D DMV-CM30CGE-D	DMV-CM2MGGE-D DMV-CM2MCGE-D	DMV-CM30GCL DMV-CM30CCL	DMV-CM2MGCL DMV-CM2MCCL
Camera	Lens				
DMV-LN06W40	0.4 M 2/3" 6 mm	●		●	
DMV-LN08W40	0.4 M 2/3" 8 mm	●		●	
DMV-LN12W40	0.4 M 2/3" 12 mm	●		●	
DMV-LN16W40	0.4 M 2/3" 16 mm	●		●	
DMV-LN25W40	0.4 M 2/3" 25 mm	●		●	
DMV-LN35W40	0.4 M 2/3" 35 mm	●		●	
DMV-LN50W40	0.4 M 2/3" 50 mm	●		●	
DMV-LN75W40	0.4 M 2/3" 75 mm	●		●	
DMV-LN100W40	0.4 M 2/3" 100 mm	●		●	
DMV-LN05M	2 M 2/3" 5 mm	○	●	○	●
DMV-LN06M	2 M 2/3" 6 mm	○	●	○	●
DMV-LN08M	2 M 2/3" 8 mm	○	●	○	●
DMV-LN12M	2 M 2/3" 12 mm	○	●	○	●
DMV-LN16M	2 M 2/3" 16 mm	○	●	○	●
DMV-LN25M	2 M 2/3" 25 mm	○	●	○	●
DMV-LN35M	2 M 2/3" 35 mm	○	●	○	●
DMV-LN50M	2 M 2/3" 50 mm	○	●	○	●
DMV-LN12M05	5 M 1" 12.5 mm	○	○	○	○
DMV-LN35M05	5 M 1" 35 mm	○	○	○	○
DMV-LN50M05	5 M 1" 50 mm	○	○	○	○
DMV-LN12M06	6 M 1" 12 mm	○	○	○	○
DMV-LN16M06	6 M 1" 16 mm	○	○	○	○
DMV-LN25M06	6 M 1" 25 mm	○	○	○	○
DMV-LN35M06	6 M 1" 35 mm	○	○	○	○
DMV-LN50M06	6 M 1" 50 mm	○	○	○	○
DMV-LN28M12	12 M F-Mount 28mm				
DMV-LN35M12	12 M F-Mount 35mm				
DMV-LN50M12	12 M F-Mount 50mm				

Description :

- = Standard
- = Alternative

DMV2000			DMV1000	
DMV-CM4MGCL DMV-CM4MCCL	DMV-CM5MGCL DMV-CM5MCCL	DMV-CM12MGCL DMV-CM12MCCL	DMV-CDA30GS	DMV-CDA80GS
			●	
			●	
			●	
			●	
			●	
			●	
			●	
			●	
			○	●
			○	●
			○	●
			○	●
			○	●
			○	●
			○	●
			○	●
●	●		○	○
●	●		○	○
●	●		○	○
●	●		○	○
●	●		○	○
●	●		○	○
●	●		○	○
		●		
		●		
		●		

Global Operations

ASIA (Taiwan)



Taoyuan Technology Center (Green Building)



Taoyuan Plant 1



Tainan Plant (Diamond-rated Green Building)



Wujiang Plant 3



Shanghai Office

ASIA (China)



ASIA (Japan)



Tokyo Office

ASIA (India)



Rudrapur Plant
(Green Building)

EUROPE



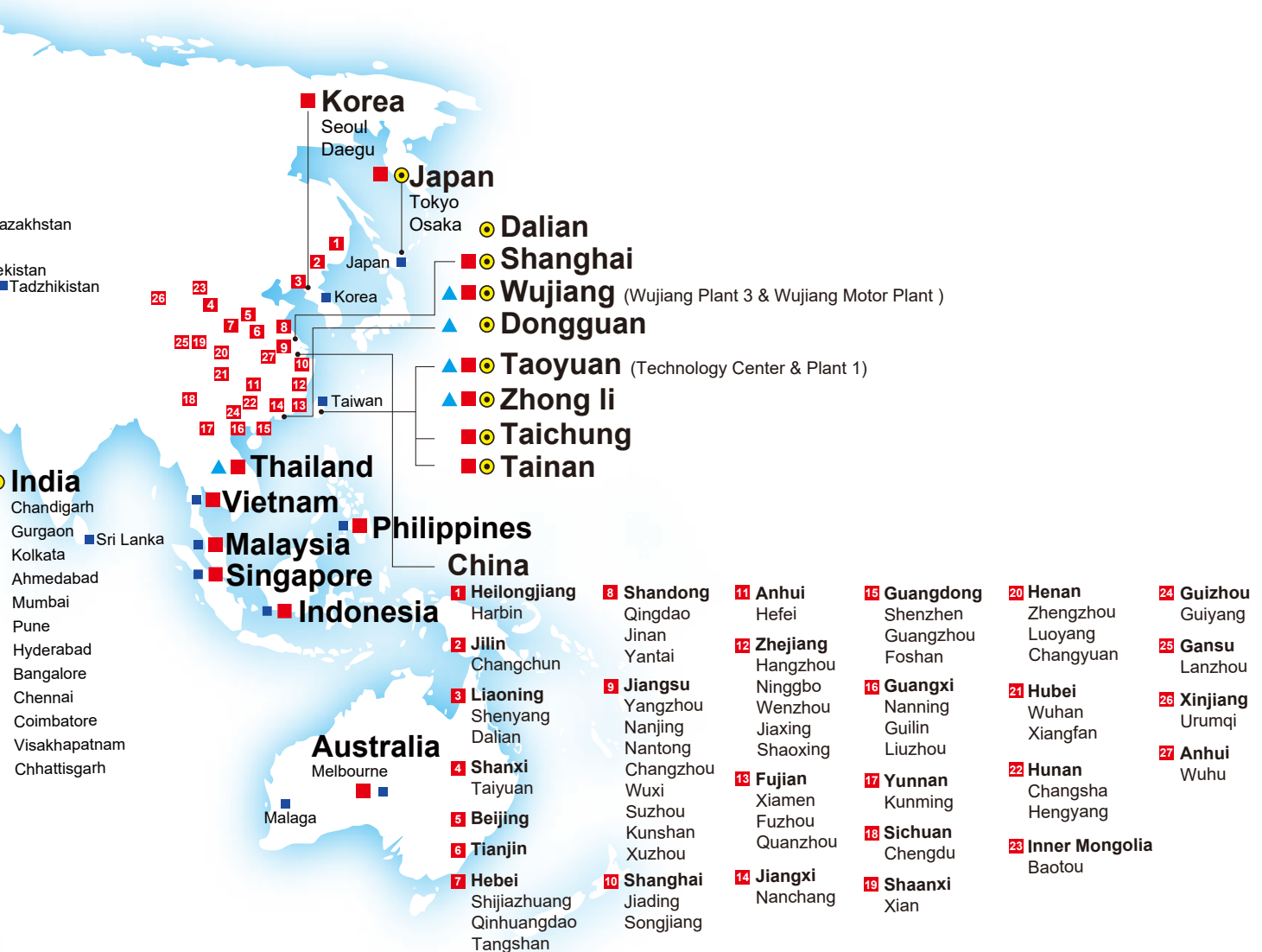
Amsterdam, the Netherlands

AMERICA



Research Triangle Park, U.S.A.

▲ 6 Factories ■ 117 Branch Offices ● 13 R&D Centers ■ 915 Distributors





Smarter. Greener. Together.

Industrial Automation Headquarters

Delta Electronics, Inc.

Taoyuan Technology Center
No.18, Xinglong Rd., Taoyuan District,
Taoyuan City 33068, Taiwan
TEL: 886-3-362-6301 / FAX: 886-3-371-6301

Asia

Delta Electronics (Shanghai) Co., Ltd.

No.182 Minyu Rd., Pudong Shanghai, P.R.C.
Post code : 201209
TEL: 86-21-6872-3988 / FAX: 86-21-6872-3996
Customer Service: 400-820-9595

Delta Electronics (Japan), Inc.

Tokyo Office
Industrial Automation Sales Department
2-1-14 Shibadaimon, Minato-ku
Tokyo, Japan 105-0012
TEL: 81-3-5733-1155 / FAX: 81-3-5733-1255

Delta Electronics (Korea), Inc.

Seoul Office
1511, 219, Gasan Digital 1-Ro., Geumcheon-gu,
Seoul, 08501 South Korea
TEL: 82-2-515-5305 / FAX: 82-2-515-5302

Delta Energy Systems (Singapore) Pte Ltd.

4 Kaki Bukit Avenue 1, #05-04, Singapore 417939
TEL: 65-6747-5155 / FAX: 65-6744-9228

Delta Electronics (India) Pvt. Ltd.

Plot No.43, Sector 35, HSIIDC Gurgaon,
PIN 122001, Haryana, India
TEL: 91-124-4874900 / FAX : 91-124-4874945

Delta Electronics (Thailand) PCL.

909 Soi 9, Moo 4, Bangpoo Industrial Estate (E.P.Z),
Pattana 1 Rd., T.Phraksa, A.Muang,
Samutprakarn 10280, Thailand
TEL: 66-2709-2800 / FAX : 662-709-2827

Delta Electronics (Australia) Pty Ltd.

Unit 20-21/45 Normanby Rd., Notting Hill Vic 3168, Australia
TEL: 61-3-9543-3720

Americas

Delta Electronics (Americas) Ltd.

Raleigh Office
P.O. Box 12173, 5101 Davis Drive,
Research Triangle Park, NC 27709, U.S.A.
TEL: 1-919-767-3813 / FAX: 1-919-767-3969

Delta Electronics Brazil

São Paulo Sales Office
Rua Itapeva, 26 - 3º, andar Edifício Itapeva,
One - Bela Vista 01332-000 - São Paulo - SP - Brazil
TEL: 55-12-3932-2300 / FAX: 55-12-3932-237

Delta Electronics International Mexico S.A. de C.V.

Mexico Office
Gustavo Baz No. 309 Edificio E PB 103
Colonia La Loma, CP 54060
Tlalnepantla, Estado de México
TEL: 52-55-3603-9200

EMEA

Headquarters: Delta Electronics (Netherlands) B.V.

Sales: Sales.IA.EMEA@deltaww.com
Marketing: Marketing.IA.EMEA@deltaww.com
Technical Support: iatechnicalsupport@deltaww.com
Customer Support: Customer-Support@deltaww.com
Service: Service.IA.emea@deltaww.com
TEL: +31(0)40 800 3900

BENELUX: Delta Electronics (Netherlands) B.V.

De Witbogt 20, 5652 AG Eindhoven, The Netherlands
Mail: Sales.IA.Benelux@deltaww.com
TEL: +31(0)40 800 3900

DACH: Delta Electronics (Netherlands) B.V.

Coesterweg 45, D-59494 Soest, Germany
Mail: Sales.IA.DACH@deltaww.com
TEL: +49(0)2921 987 0

France: Delta Electronics (France) S.A.

ZI du bois Challand 2, 15 rue des Pyrénées,
Lisses, 91090 Evry Cedex, France
Mail: Sales.IA.FR@deltaww.com
TEL: +33(0)1 69 77 82 60

Iberia: Delta Electronics Solutions (Spain) S.L.U

Ctra. De Villaverde a Vallecas, 265 1º Dcha Ed.
Hormigueras – P.I. de Vallecas 28031 Madrid
TEL: +34(0)91 223 74 20

Carrer Llacuna 166, 08018 Barcelona, Spain

Mail: Sales.IA.Iberia@deltaww.com

Italy: Delta Electronics (Italy) S.r.l.

Via Meda 2-22060 Novedrate(CO)
Piazza Grazioli 18 00186 Roma Italy
Mail: Sales.IA.Italy@deltaww.com
TEL: +39 039 8900365

Russia: Delta Energy System LLC

Vereyskaya Plaza II, office 112 Vereyskaya str.
17 121357 Moscow Russia
Mail: Sales.IA.RU@deltaww.com
TEL: +7 495 644 3240

Turkey: Delta Greentech Elektronik San. Ltd. Sti. (Turkey)

Şerifaii Mah. Hendem Cad. Kule Sok. No:16-A
34775 Ümraniye – İstanbul
Mail: Sales.IA.Turkey@deltaww.com
TEL: + 90 216 499 9910

GCC: Delta Energy Systems AG (Dubai BR)

P.O. Box 185668, Gate 7, 3rd Floor, Hamarain Centre
Dubai, United Arab Emirates
Mail: Sales.IA.MEA@deltaww.com
TEL: +971(0)4 2690148

Egypt + North Africa: Delta Electronics

Unit 318, 3rd Floor, Trivium Business Complex, North 90 street,
New Cairo, Cairo, Egypt
Mail: Sales.IA.MEA@deltaww.com