

IABU Headquarters

Delta Electronics, Inc.

Taoyuan1

31-1, Xingbang Road, Guishan Industrial Zone,
Taoyuan County 33370, Taiwan, R.O.C.
TEL: 886-3-362-6301 / FAX: 886-3-362-7267

Asia

Delta Electronics (Jiang Su) Ltd.

Wujiang Plant3

1688 Jiangxing East Road,
Wujiang Economy Development Zone,
Wujiang City, Jiang Su Province,
People's Republic of China (Post code: 215200)
TEL: 86-512-6340-3008 / FAX: 86-512-6340-7290

Delta Greentech (China) Co., Ltd.

238 Min-Xia Road, Cao-Lu Industry Zone, Pudong, Shanghai,
People's Republic of China
Post code : 201209
TEL: 021-58635678 / FAX: 021-58630003

Delta Electronics (Japan), Inc.

Tokyo Office

Delta Shibadaimon Building, 2-1-14
Shibadaimon, Minato-Ku, Tokyo, 105-0012,
Japan
TEL: 81-3-5733-1111 / FAX: 81-3-5733-1211

Delta Electronics (Korea), Inc.

234-9, Duck Soo Building 7F, Nonhyun-Dong,
Kangnam-Gu, Seoul, Korea 135-010
TEL: 82-2-515-5305 / FAX: 82-2-515-5302

Delta Electronics (Singapore) Pte. Ltd.

8 Kaki Bukit Road 2, #04-18 Ruby Warehouse Complex,
Singapore 417841
TEL: 65-6747-5155 / FAX: 65-6744-9228

Delta Power Solutions (India) Pte. Ltd.

Plot No. 28, Sector-34, EHTP
Gurgaon-122001 Haryana, India
TEL: 91-124-416-9040 / FAX: 91-124-403-6045

America

Delta Products Corporation (USA)

Raleigh Office

P.O. Box 12173, 5101 Davis Drive,
Research Triangle Park, NC 27709, U.S.A.
TEL: 1-919-767-3813 / FAX: 1-919-767-3969

Delta Products Corporation (Brazil)

Sao Paulo Office

Rua Jardim Ivone, 17 Cjs 13/14-Paraiso
04105-020-Sao Paulo-SP-Brazil
TEL: 55-11-3568-3875 / FAX: 55-11-3568-3865

Europe

Deltronics (The Netherlands) B.V.

Eindhoven Office

De Witbogt 15, 5652 AG Eindhoven, The Netherlands
TEL: 31-40-2592850 / FAX: 31-40-2592851

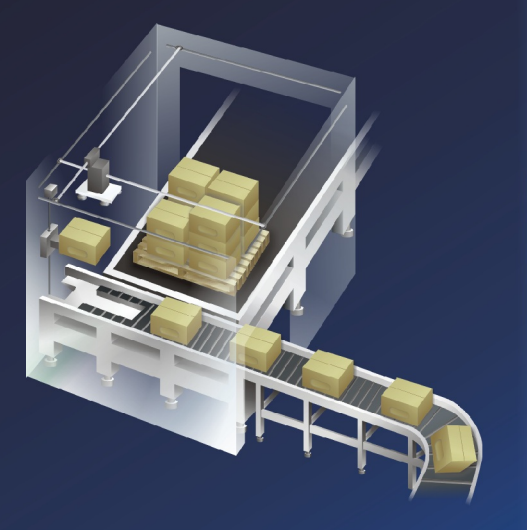
*We reserve the right to change the information in this catalogue without prior notice

DPA

New-Generation & Slim Pressure Sensor



DPA



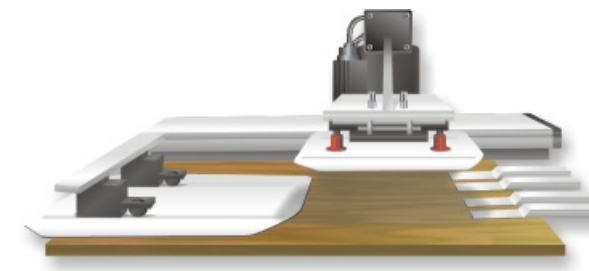
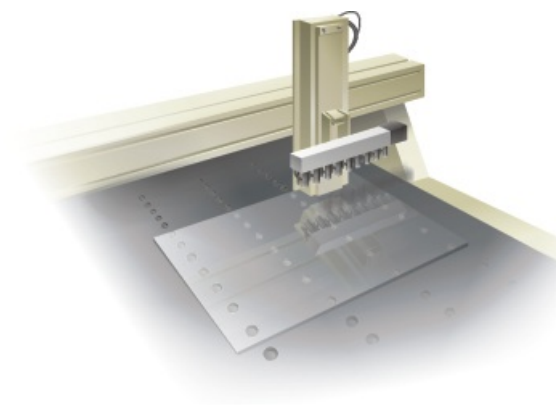
Features

- ▶ Energy-saving mode
- ▶ Easy code display
- ▶ Analog output function
- ▶ Parameter copy function
- ▶ Various unit conversion functions
- ▶ 10 sets of output response time available
- ▶ Various output modes available
- ▶ 3 sets of color display
- ▶ Fast zero reset
- ▶ Safety control function

Applicable Fields

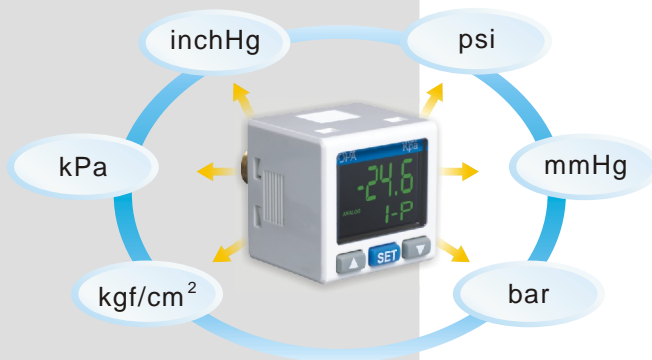
- **Mechanical Processing Industry**
Mechanical product processing & fixing

- **Solar Energy Industry**
TurnKey Module Lines suction



Various Unit Conversion Functions

DPA offers 6 globally adopted pressure units



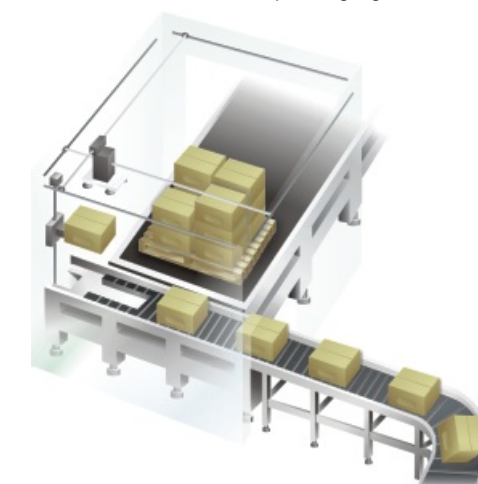
Fast Parameter Copy

DPA is able to fast copy the internal parameters to other slaves and saves the repeated parameter setup time.



- **Food Packaging Industry**
Drink, cans suction & packaging

- **Semiconductor Industry**
Wafer suction & loading



3-Color LCD Display

The 3-color LCD display allows the user to set up the display color according to the ambient environment, e.g. when the pressure is within normal range or exceeds the allowed range. The display color will be orange when in parameter setup.

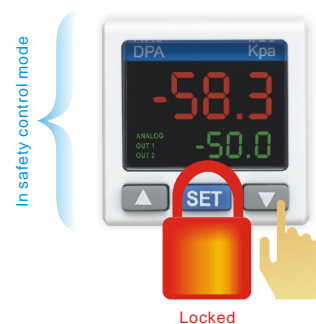


Color for upper/lower limit display (green/red)

Parameter being setup (orange)

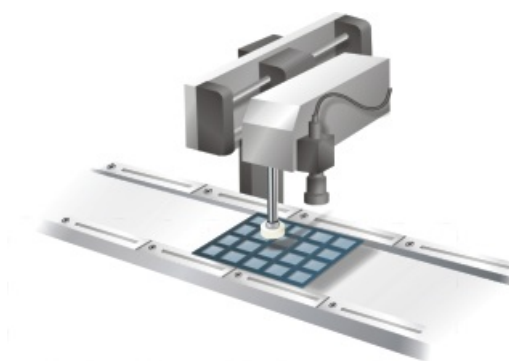
Safety Control Mode

The safety control mode avoids operators carelessly touching relevant parameters and affecting the operation and production of the equipment.



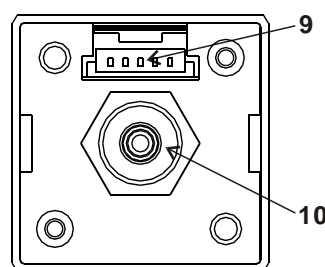
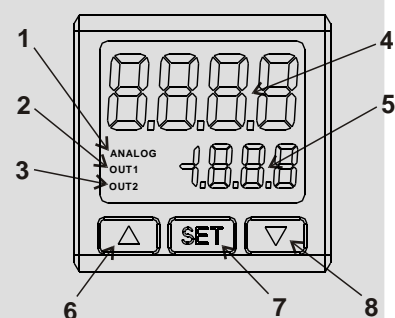
- **Electronic Component Industry**
IC component suction & confirm

- **Automatic Assembly Industry**
Automatic component assembly & confirm



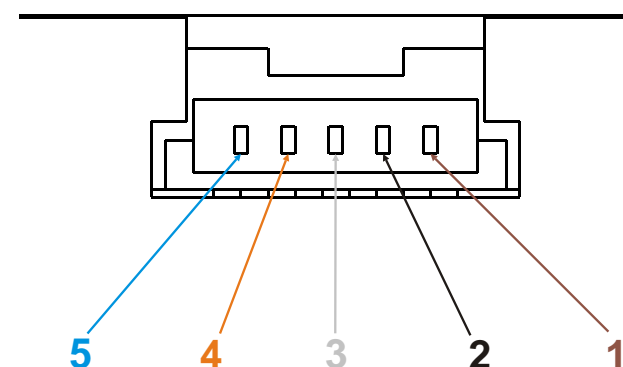
Specifications

Power supply	Voltage range	12 ~ 24 VDC +/- 10% no isolation
	Power consumption	40mA Max.; current output type 60mA Max.
Pressure measurement	Pressure type	Non-corrosive gas, gauge type
	Measurable range	DPA01: -100kPa ~ 100kPa DPA10: -100kPa ~ 1,000kPa
	Max. durable pressure	DPA01: 200kPa DPA10: 1,500kPa
	Accuracy	+/- 3% entire process
	Temperature inaccuracy	+/- 2% entire process
Display	Setup display	2-line LCD display, 4 digits for measured value and 3.5 digits for setup display
	Status display	LCD output status display
	Display mode	3 colors for different modes
	Cycle	250ms · 500ms · 1,000ms
Output	Number of outputs	Built-in 2 NPN or PNP transistor digital outputs and 1 analog output
	Transistor output	NPN: Max. durable pressure 30V/100mA, residual voltage 1.5V PNP: Max. durable pressure 30V/100mA, residual voltage 1.5V
	Analog output	1 ~ 5V: Min. output load resistance 1,000Ω 4 ~ 20mA: Max. output load resistance 400Ω; linear inaccuracy < 2% entire process
	Response time	2ms · 4ms · 10ms · 30ms · 50ms · 100ms · 250ms · 500ms · 1,000ms · 5,000ms
	Output inaccuracy	Linear inaccuracy: < +/- 2% entire process
Pore size	P	Outer diameter PT 1/8, inner diameter M5
	N	Outer diameter NPT 1/8, inner diameter M5
	R	Outer diameter Rc 1/8, inner diameter M5
Shock immunity		10 ~ 500Hz, 10mm, 3 axes for 2 hours
Vibration immunity		Max. 100m/s ² , 3 axes 6 directions, 3 times each
Ambient temperature		0°C ~ +50°C
Storage temperature		-20°C ~ +65°C
Altitude		< 2,000m
Ambient humidity		35% ~ 80% Rh (Non-condensing)



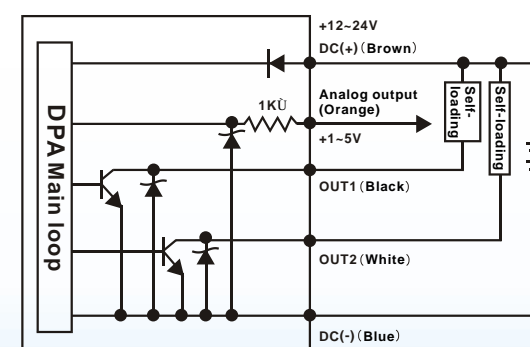
- 1 Analog output indicator
- 2 Digital output 1 indicator
- 3 Digital output 2 indicator
- 4 Pressure/parameter display
- 5 SV/setup item display
- 6 UP key
- 7 SET key
- 8 DOWN key
- 9 Power supply & output terminals
- 10 Pressure input pore

Terminals

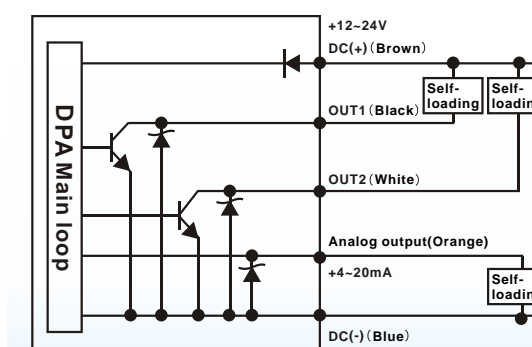


- 1 Positive power supply input (brown)
- 2 Digital output 1 signal (black)
- 3 Digital output 2 signal (white)
- 4 Analog output signal (orange)
- 5 Negative power supply input (blue)

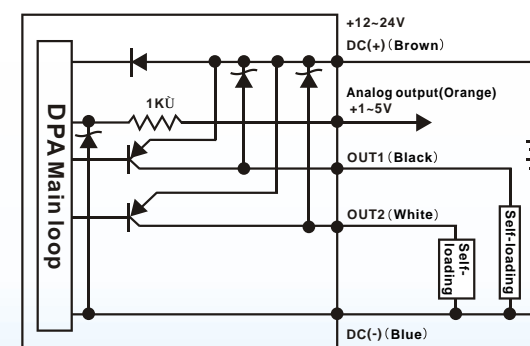
Various Output Control Modes



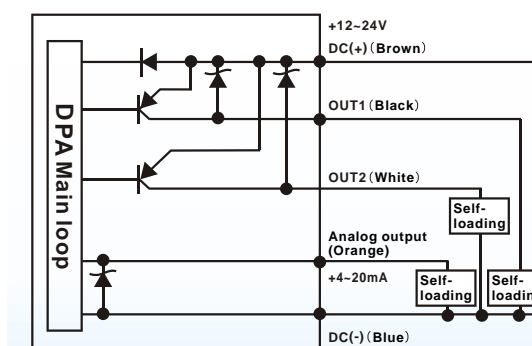
NPN+1~5V Output



NPN+4~20mA Output



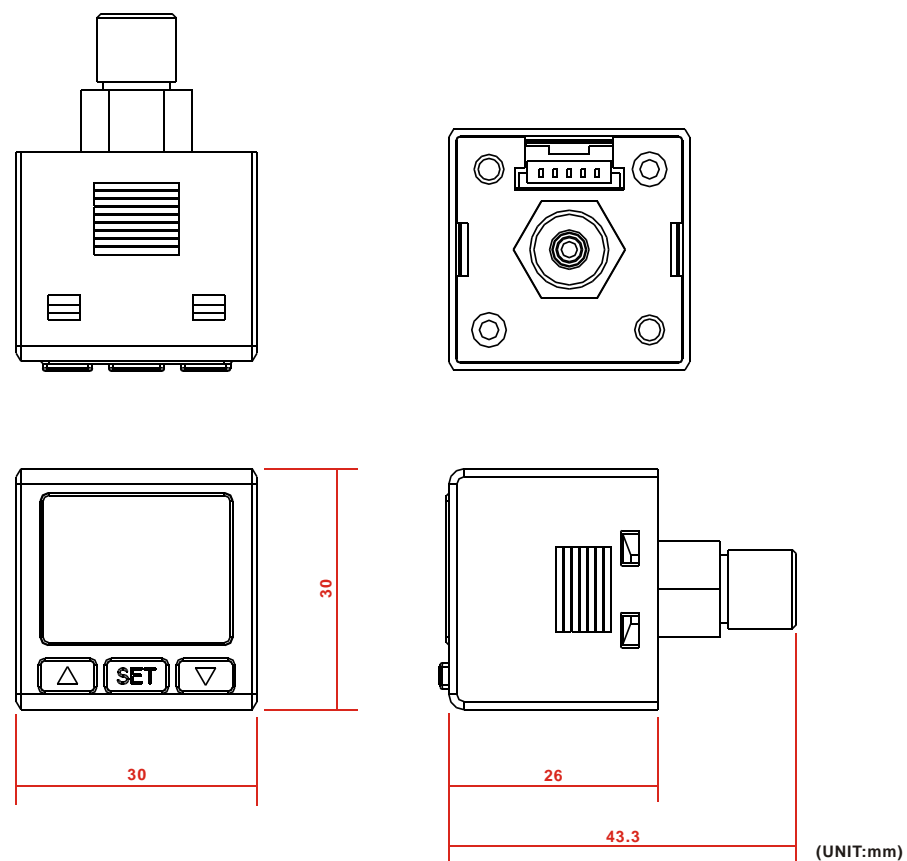
PNP+1~5V Output



PNP+4~20mA Output

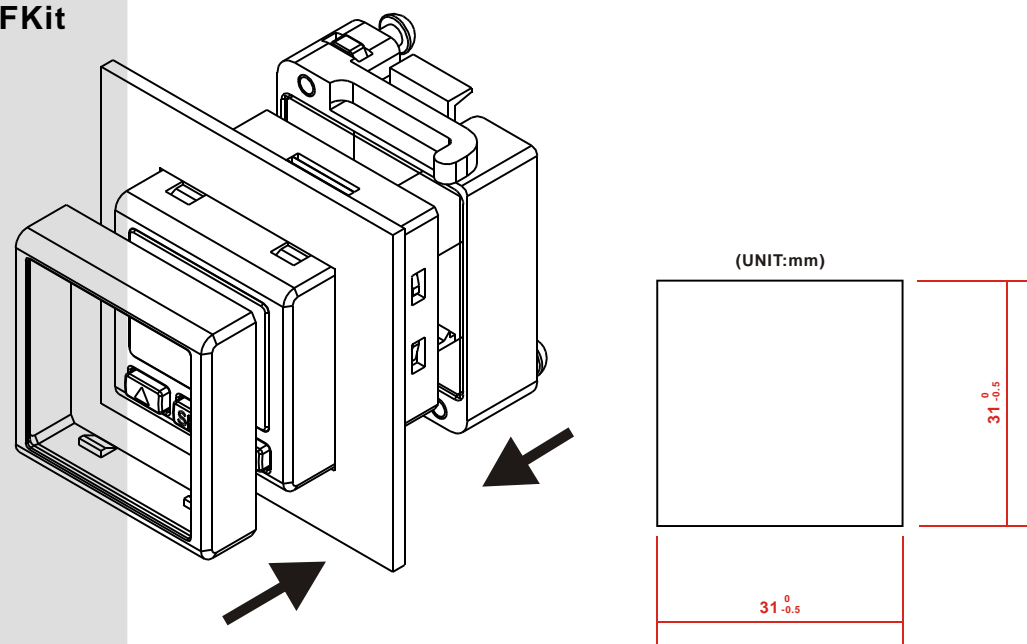


Dimension



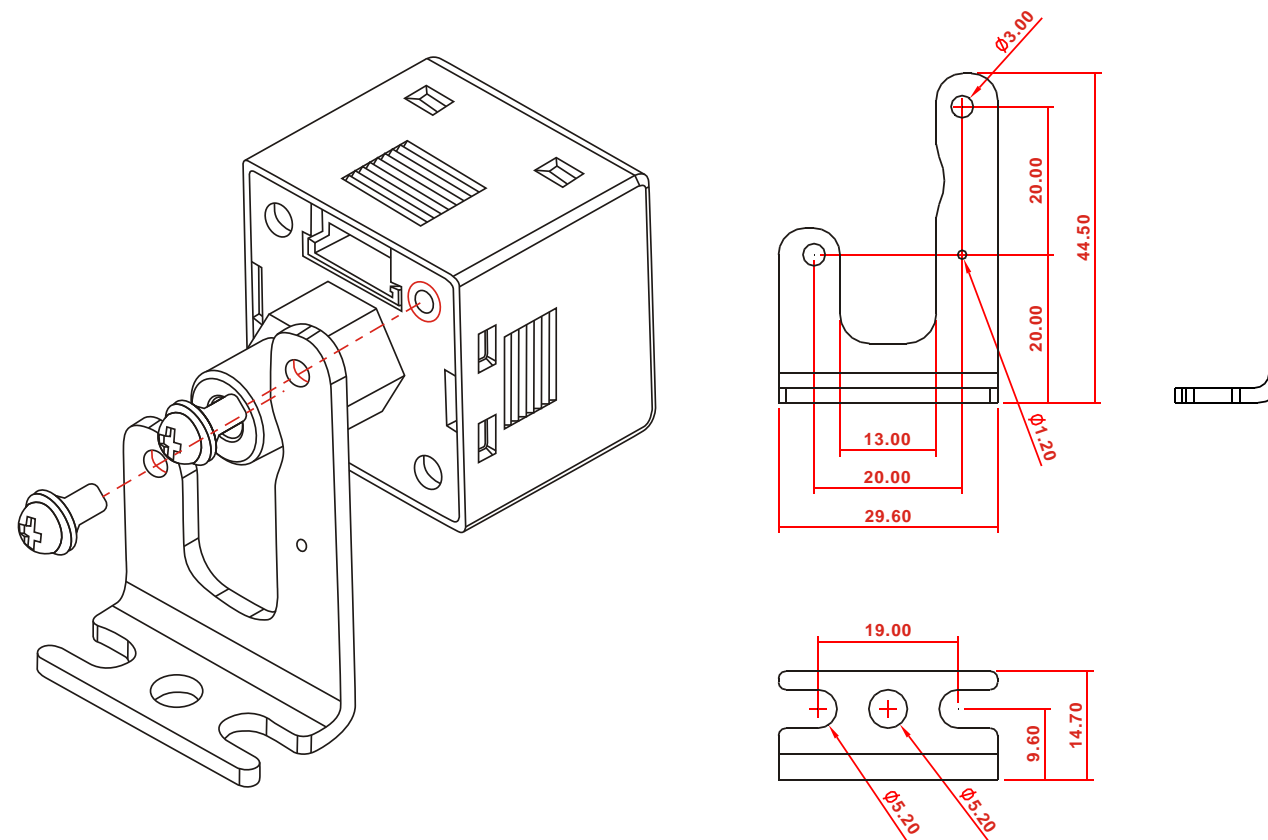
Panel Accessory

Model: DPA-PFKit



Shelf Accessory

Model: DPA-FMKit



Ordering Information

