

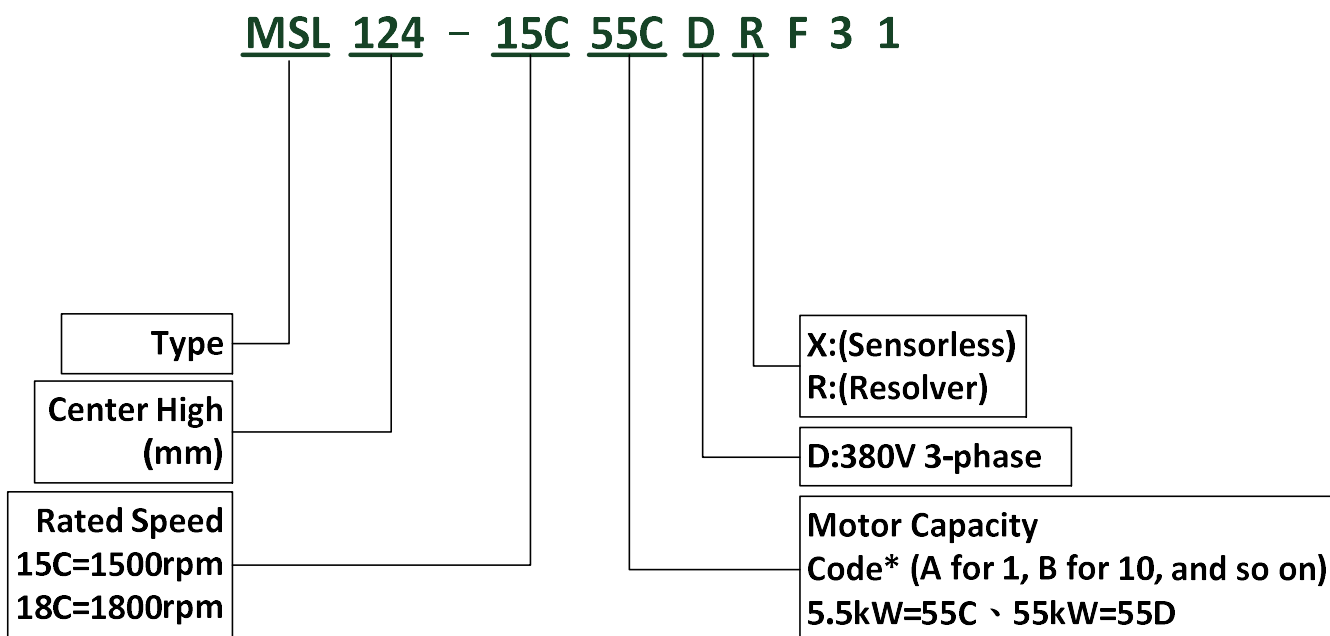
PM Standard series specifications



IPM (accuracy similar to servo motor)

Feature	Different from traditional SPM motor, the convex pole effect of IPM motor rotor can provide additional reluctance torque output and sensorless rotation angle estimation by using appropriate + control. Control functions like position, torque, and speed can be achieved without installing position feedback sensor. Moreover, the accurate positioning with ± 5 degrees mechanical angles can replace the simple servo situation of servo motor system.
Application	Packaging machinery / Food & Beverage / Conveyor and other related industries

Model Name



Motor Specifications

Type	Rated power	Voltage	Rated speed	Pole	Rated torque	Rated current	IP class	Insulation class
	kW	V	rpm		Nm	A	IP	
MSL124-15C55CD□F31	5.5	380	1500	8	35	10.3	54	F
MSL124-15C75CD□F31	7.5				47.8	14.3		
MSL124-15C11DD□F31	11				70	20.3		
MSL160-15C15DD□F31	15				95.5	29		
MSL160-15C18DD□F31	18.5				117.8	33.5		
MSL160-15C22DD□F31	22				140.1	40.5		
MSL160-15C30DD□F31	30				191	54.3		
MSL160-15C37DD□F31	37				235.6	70.2		
MSL160-15C55DD□F31	55				350	105		
MSL160-18C75DD□F31	75				398	138		
MSL228-18C90DD□F31	90		1800	12	478	164		
MSL228-18C12ED□F31	120				637	224		

□ : X (Sensorless)

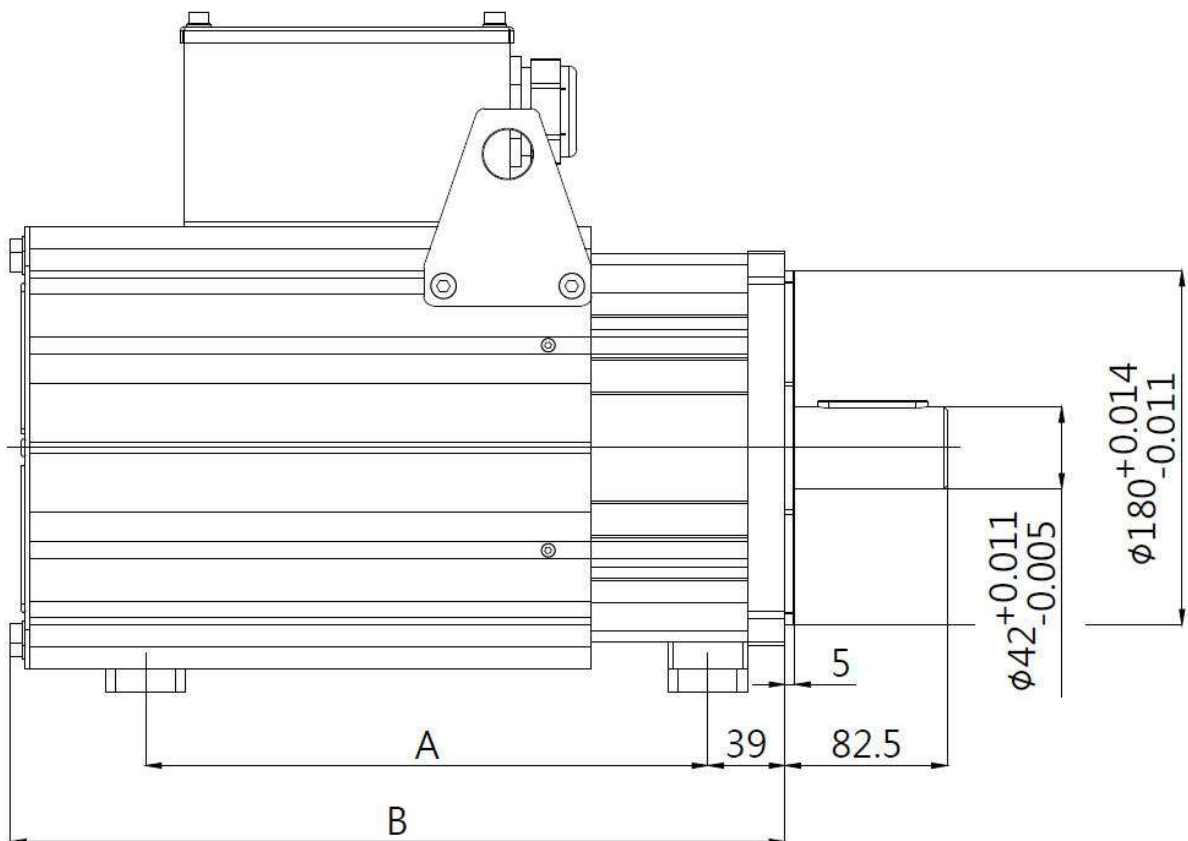
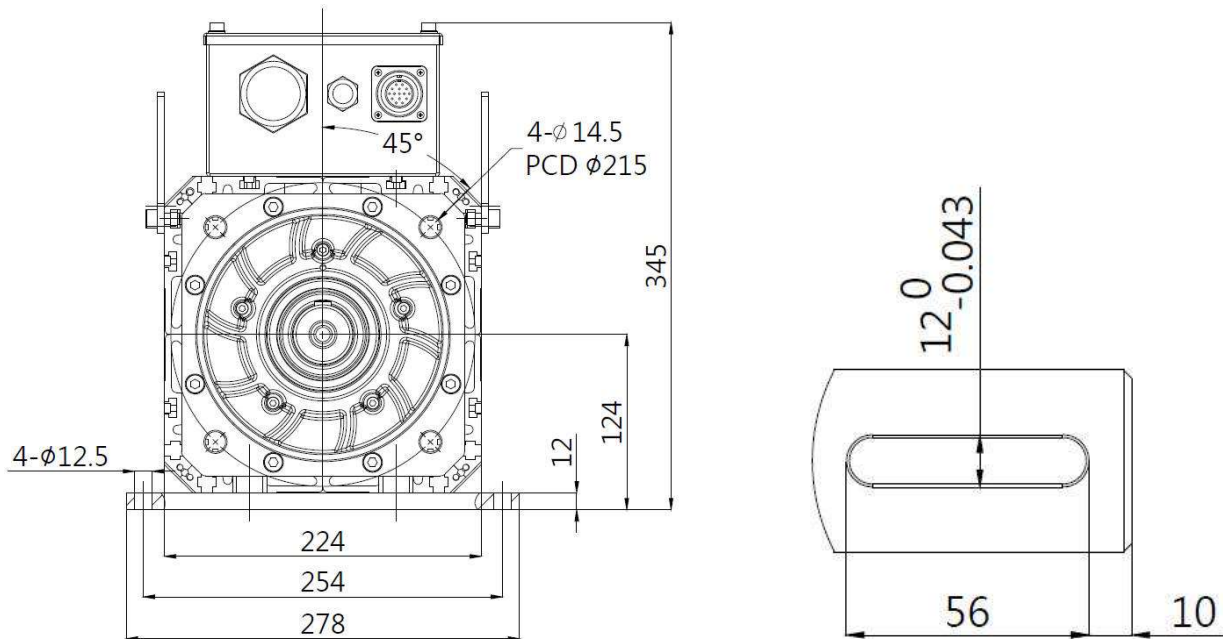
R (Resolver)

General Specifications

Insulation Class	Class F (Stator Insulation Class H)
Cooling Method	Forced Air Cooling (AC Fan 220VAC)
Speed Detector	Resolver 2 Poles
Motor Protection Sensors	PTC temperature protection switch and KTY84-130 temperature sensor.
Operating Environment	Ambient Temperature -15 ~ 40 °C Ambient Humidity 20 ~ 90% RH (Non-condensation) Altitude <1000m
Mounting	Foot Mounted and Flange Mounted

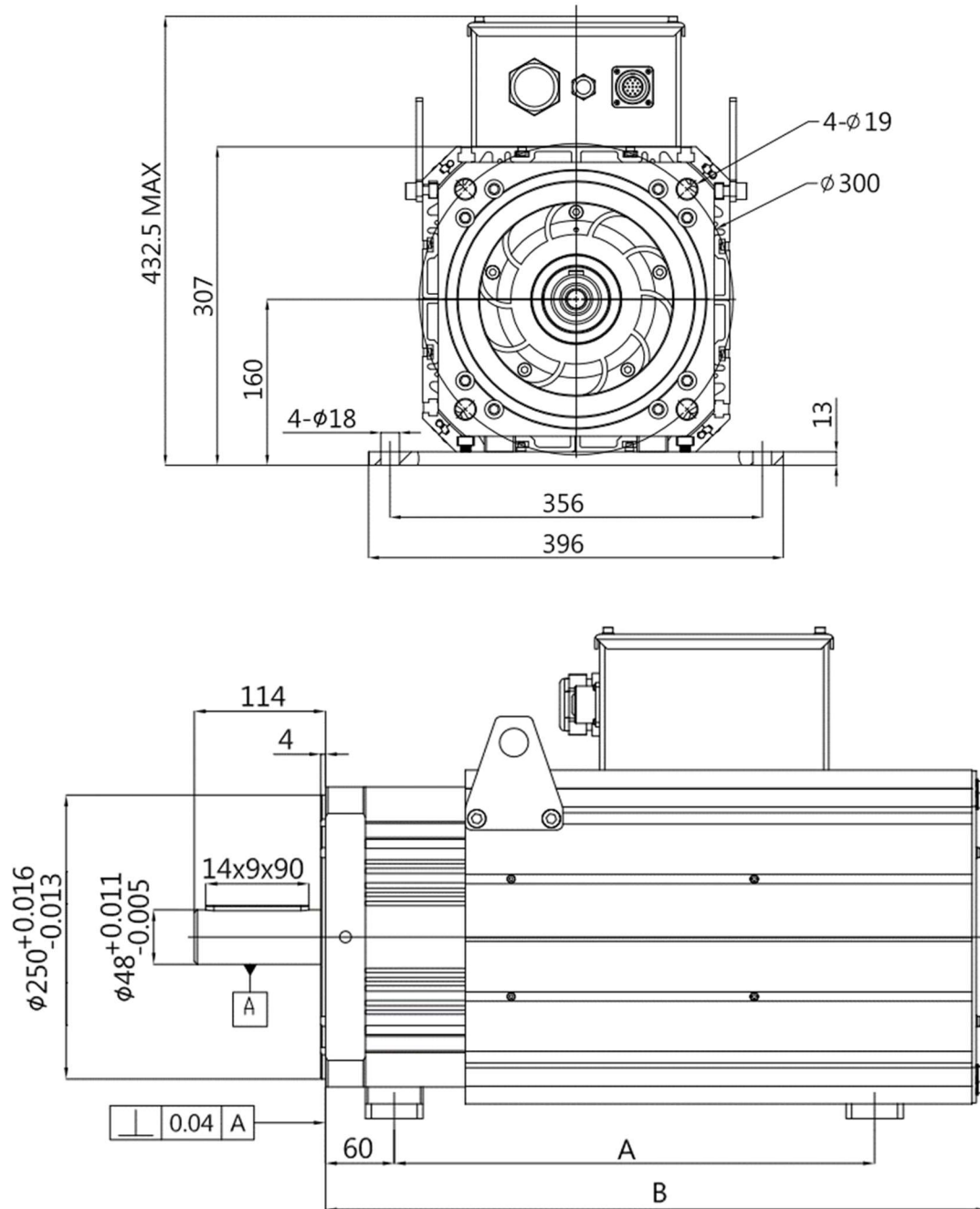
Motor Dimensions

IPM (5.5kW~11kW)



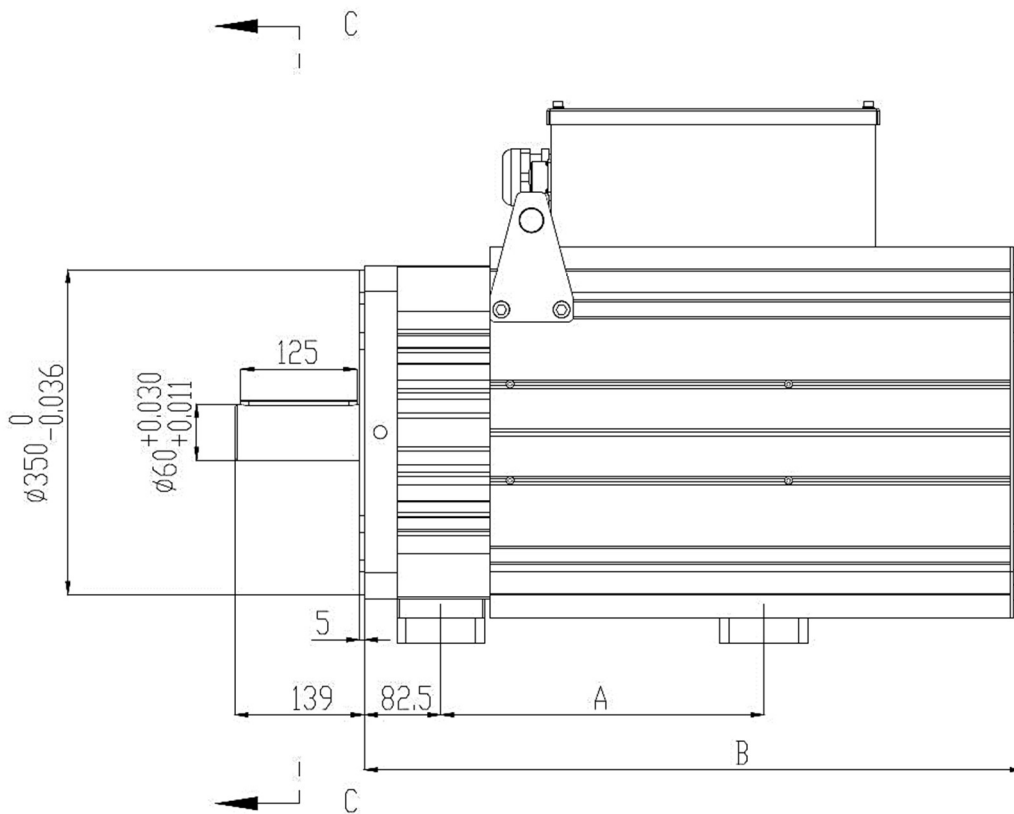
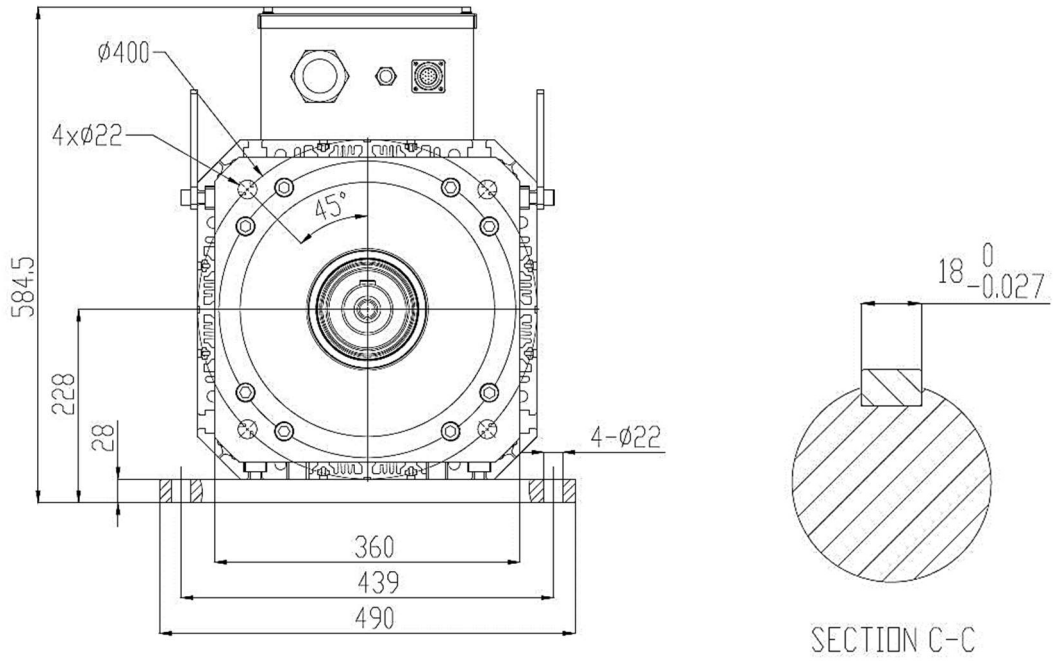
Type	A(mm)	B(mm)
MSL124-15C55CD □ F31	285	393
MSL124-15C75CD □ F31	310	433
MSL124-15C11DD □ F31	395	513

IPM (15kW~75kW)



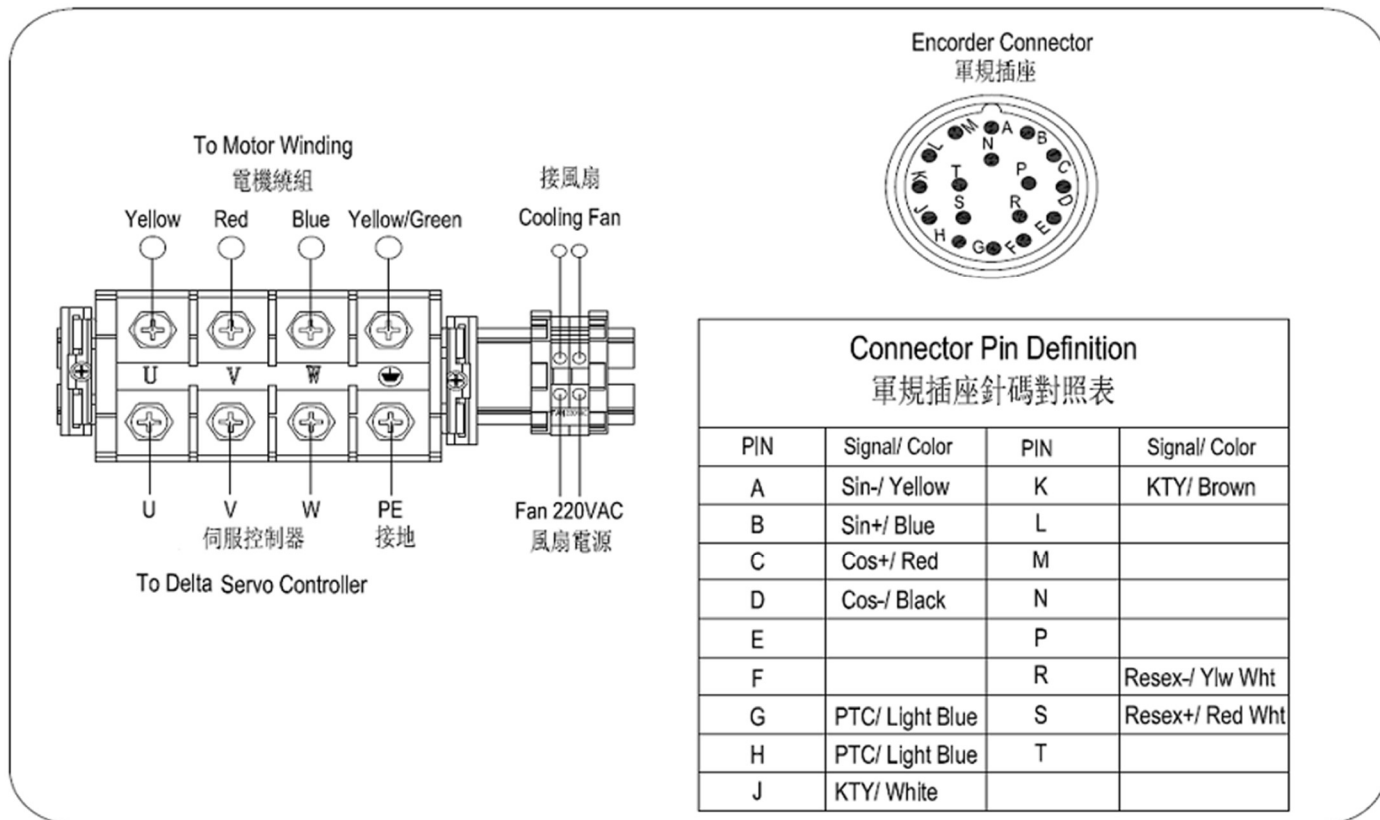
Type	A(mm)	B(mm)
MSL160-15C15DD □ F31	379	537
MSL160-15C18DD □ F31	419	577
MSL160-15C22DD □ F31	472.5	630.5
MSL160-15C30DD □ F31	579.5	737.5
MSL160-15C37DD □ F31	633	791
MSL160-15C55DD □ F31	673	831
MSL160-18C75DD □ F31		

IPM (90kW~120kW)

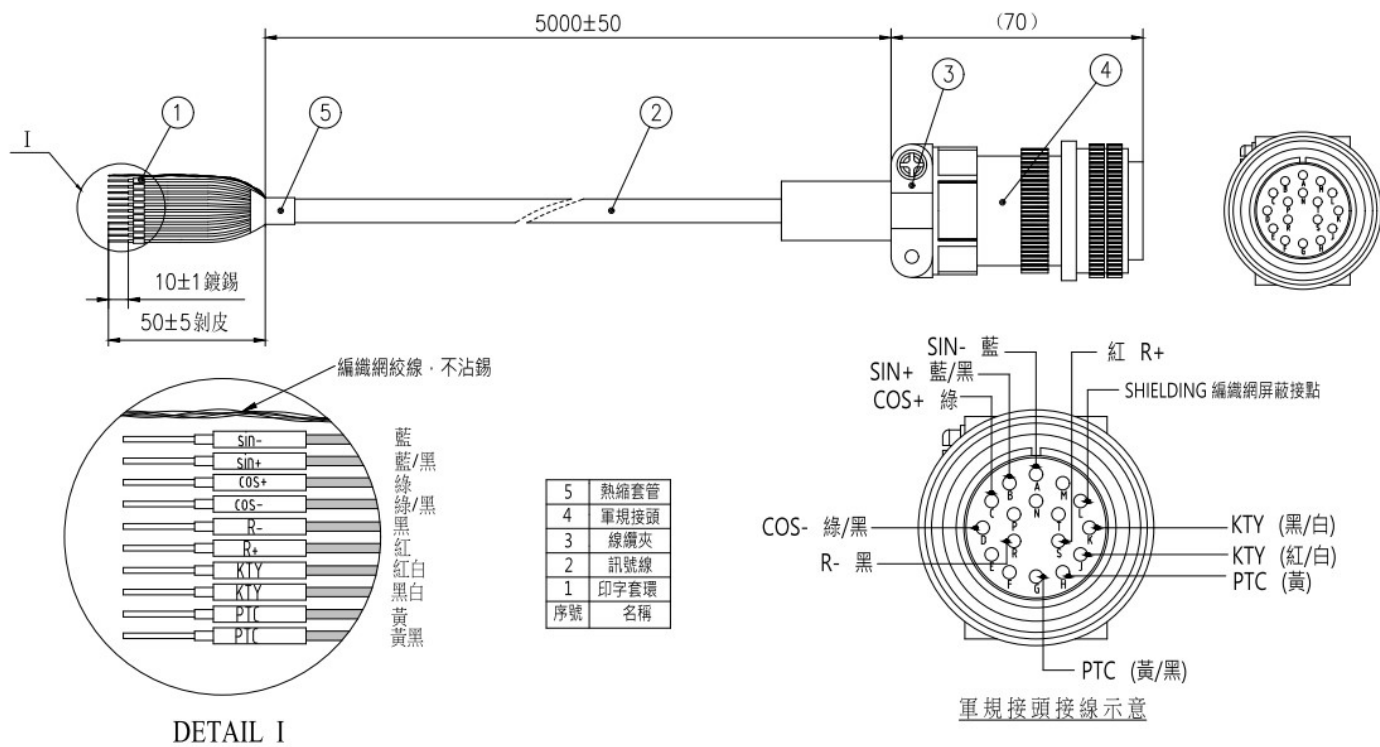


Type	A(mm)	B(mm)
MSL228-18C90DD □ F31	348	715
MSL228-18C12ED □ F31	408	775

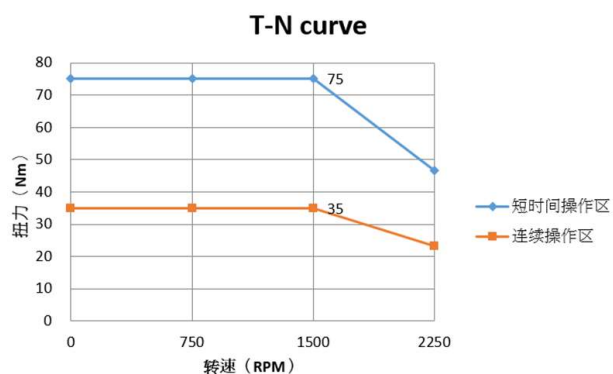
Wiring and Connectors



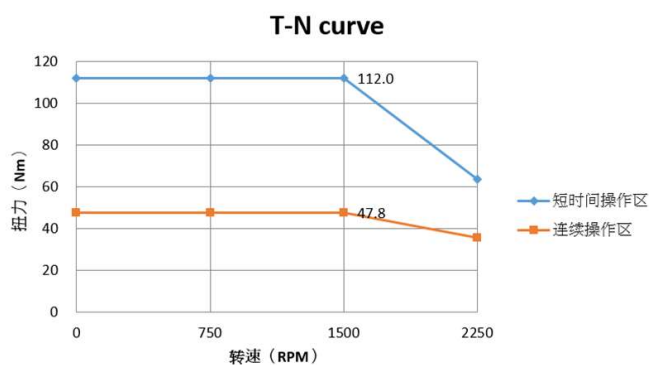
Encoder Cables



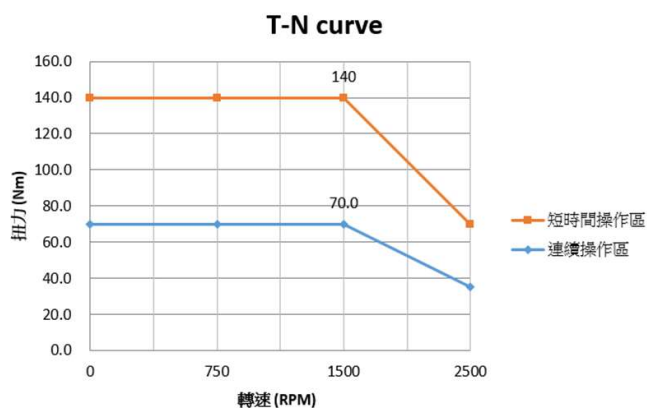
Speed-Torque Curves (T-N Curves)



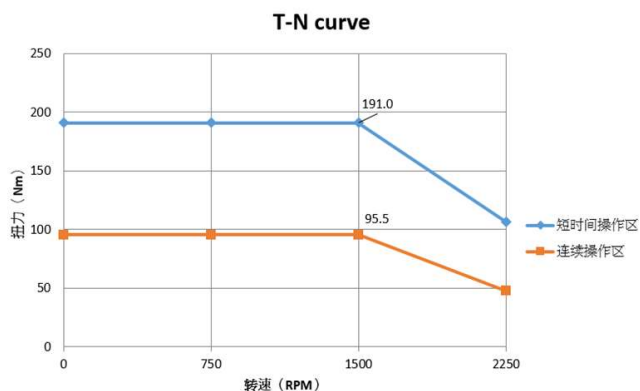
5.5kW-1500rpm



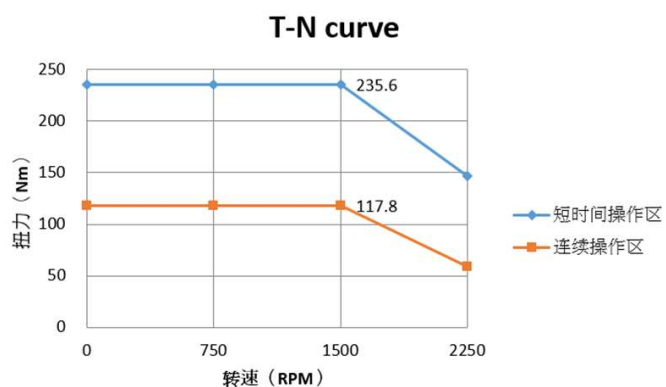
7.5kW-1500rpm



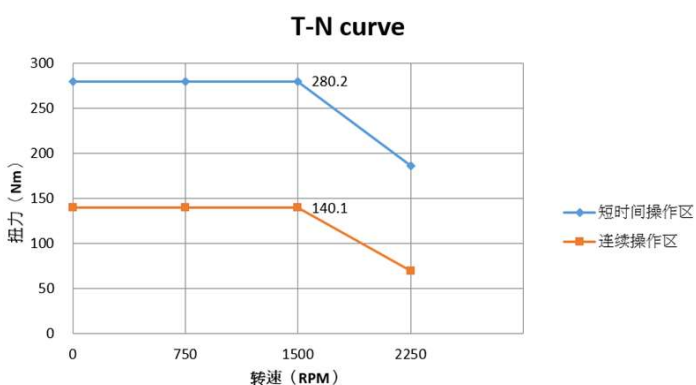
11kW-1500rpm



15kW-1500rpm

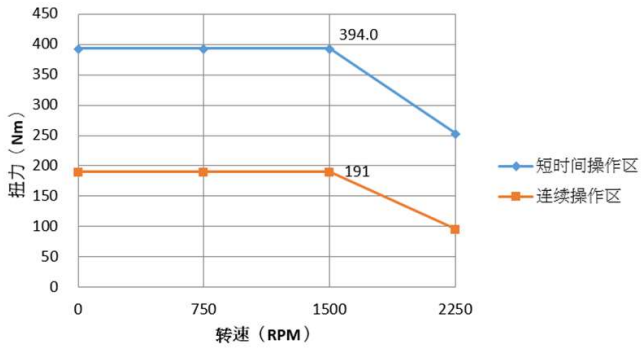


18.5kW-1500rpm



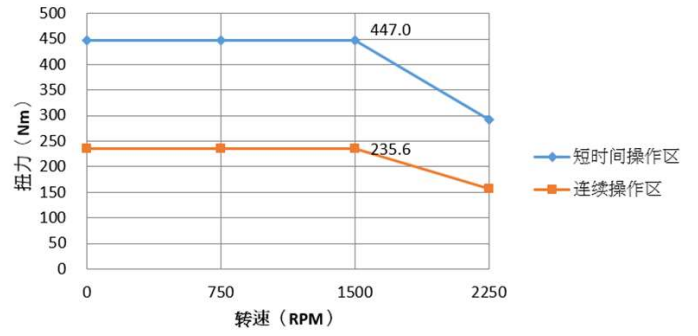
22kW-1500rpm

T-N curve



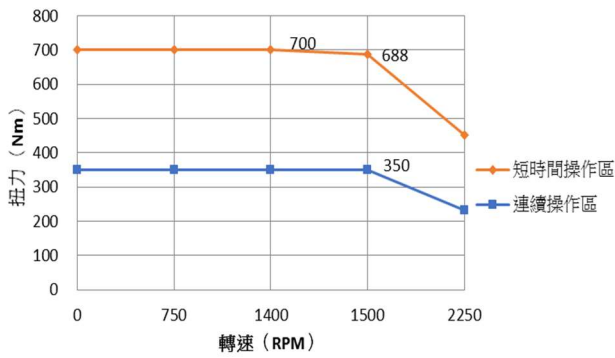
30kW-1500rpm

T-N curve



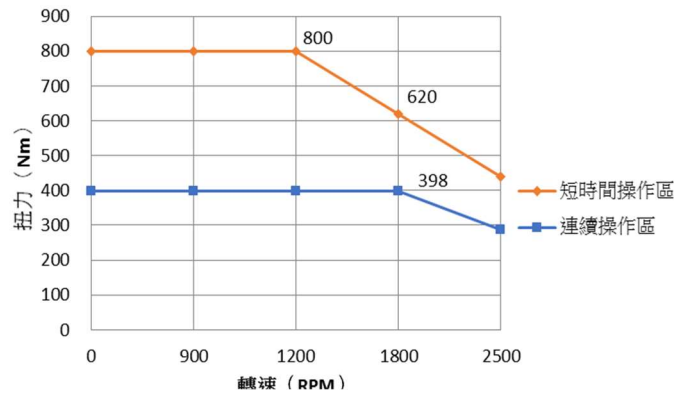
37kW-1500rpm

T-N curve



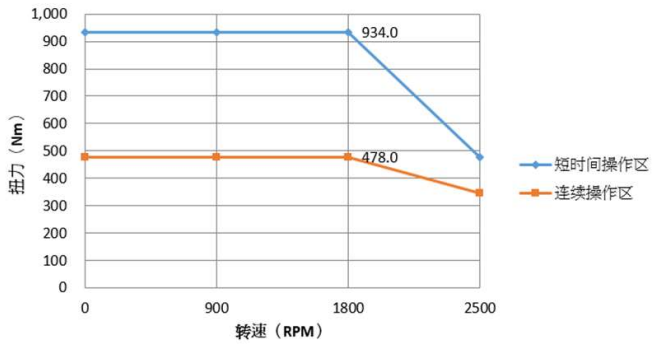
55kW-1500rpm

I-N curve



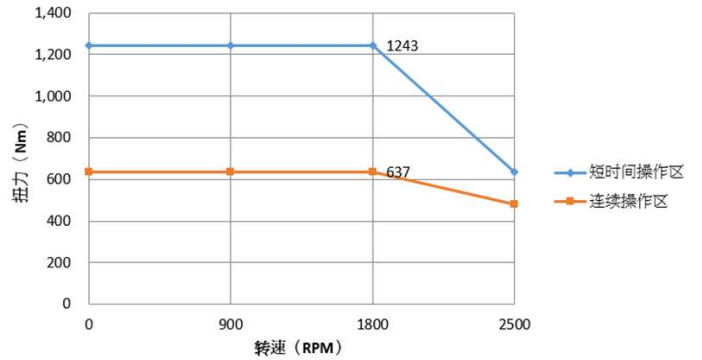
75kW-1800rpm

T-N curve



90kW-1800rpm

T-N curve



120kW-1800rpm

PM Detailed Specifications													
Type	Rated power	Voltage	Rated speed	Frequency	Pole	Rated torque	Rated current	Max. torque	Max. current	Max. speed	IP Class	Insulation class	Weight
	kW	V	rpm	Hz		Nm	A	Nm	A	rpm	IP		kg
MSL124-15C55CD□F31	5.5	380	1500	100	8	35	10.3	75	24	2250	54	F	49
MSL124-15C75CD□F31	7.5					47.8	14.3	112	36				57
MSL124-15C11DD□F31	11					70	20.3	140.1	43.3				73
MSL160-15C15DD□F31	15					95.5	29	191	64				110
MSL160-15C18DD□F31	18.5					117.8	33.5	235	76				125
MSL160-15C22DD□F31	22					140.1	40.5	280	90				145
MSL160-15C30DD□F31	30					191	54.3	394	120				190
MSL160-15C37DD□F31	37					235.6	70.2	447	146				210
MSL160-15C55DD□F31	55					350	105	700	240				236
MSL160-18C75DD□F31	75						120						398
MSL228-18C90DD□F31	90	1800		180	12	478	164	934	360	2500			288
MSL228-18C12ED□F31	120								637				224

□ : X (Sensorless)

R (Resolver)

***Note: We reserves the right to change product specifications.**